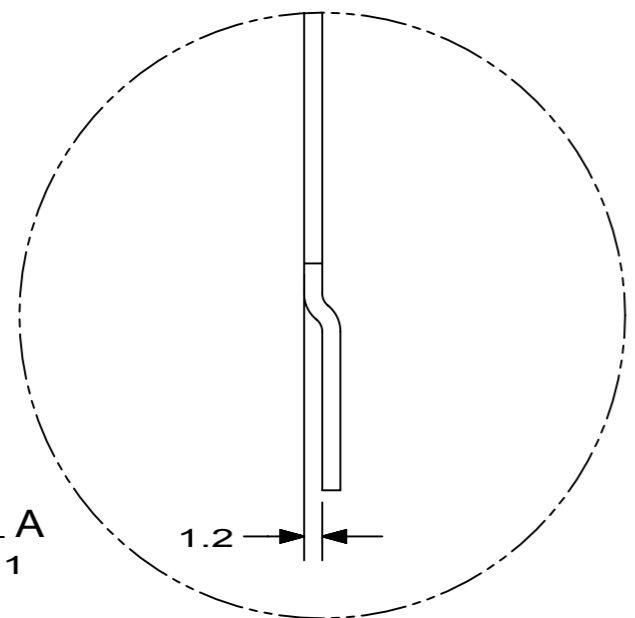
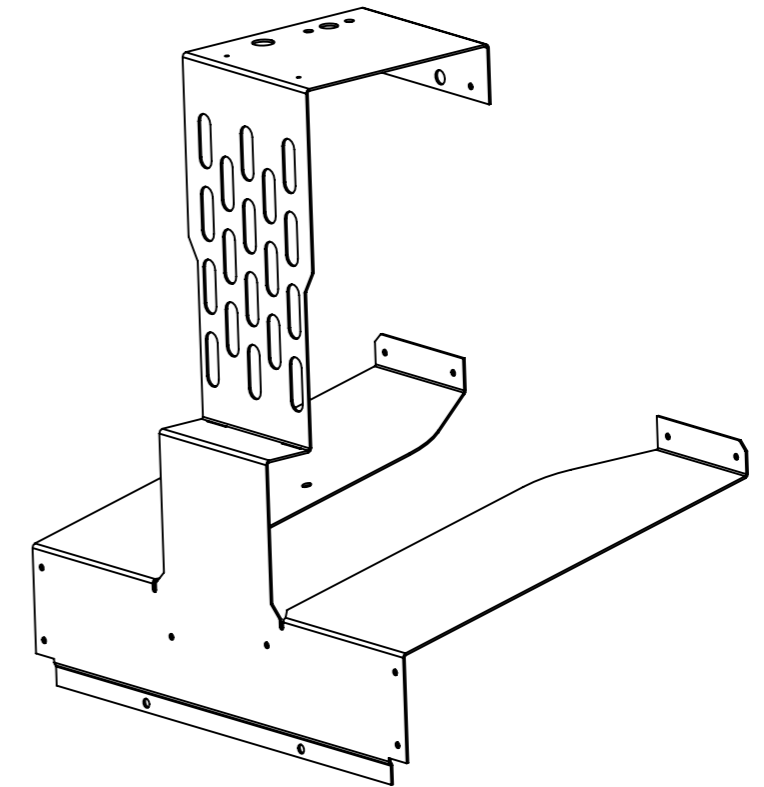
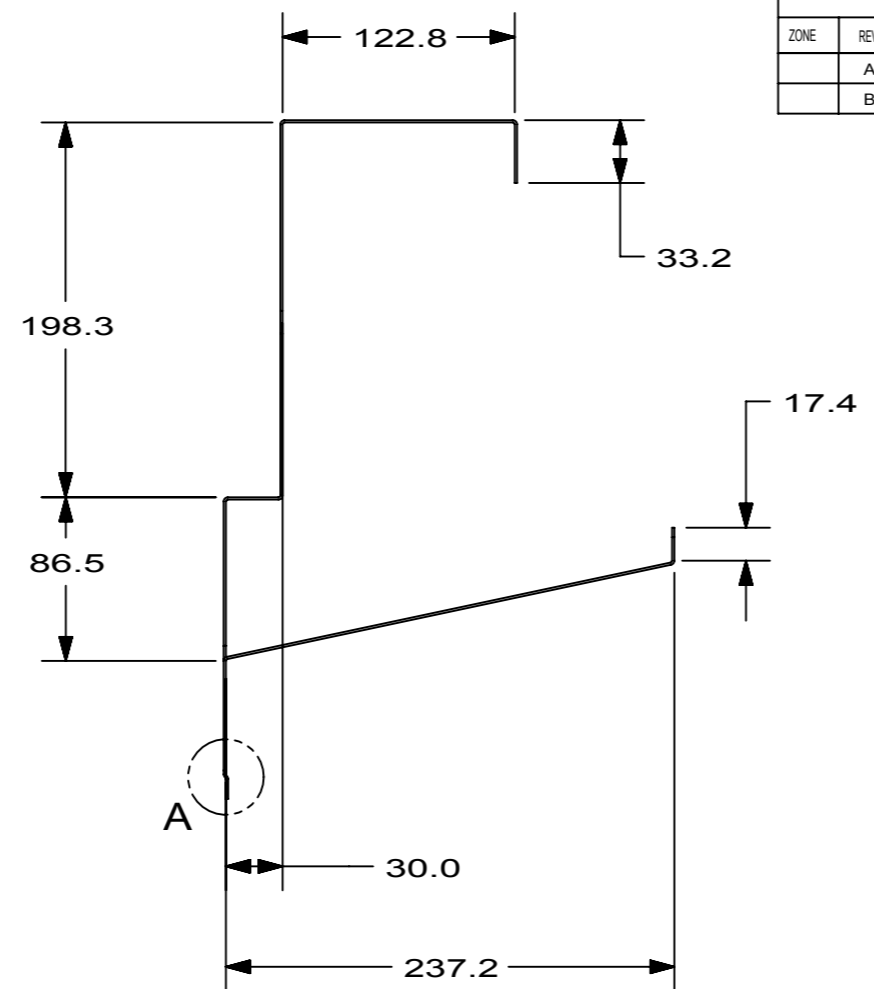
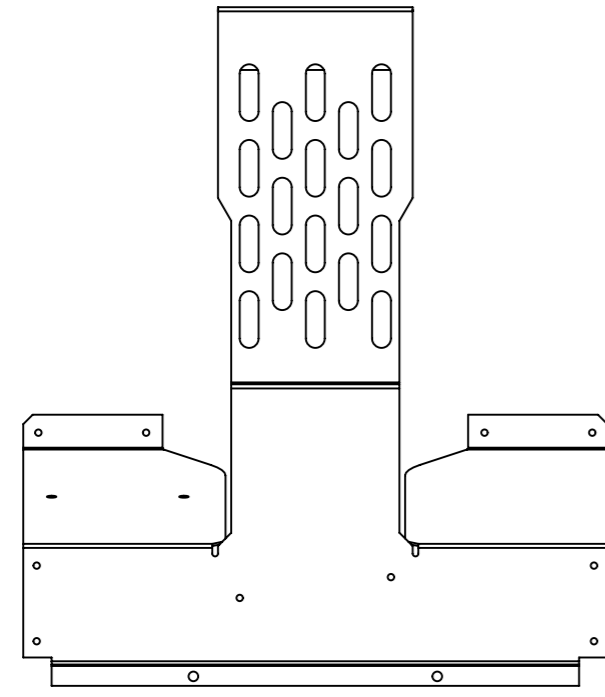


4 3 2 1

REVISIONS						
ZONE	REV	PCO	DESCRIPTION	DRFT	DATE	CHKD
	A	40001067-4	RELEASE	JJB	7-10-08	MM
	B	40001383	CHANGED HOLE DIAMETERS AND MOVED SWITCHES	JJB	4-14-09	MM

D  
C  
B  
A

D  
C  
B  
A



**DETAIL A**  
SCALE 2:1

4 3 2 1

<p>"CONFIDENTIAL" PROPRIETARY INFORMATION; DO NOT DISCLOSE SPECIFICATIONS CONTAINED ON THIS DRAWING, WITHOUT AN AUTHORIZED AND SIGNED ARIZANT HEALTHCARE INC. CONFIDENTIALITY AGREEMENT</p>	<p>± TOLERANCE UNLESS OTHERWISE SPECIFIED</p> <p>.X = ± 1.00      ANGLES</p> <p>.XX = ± .50      ± 1°</p> <p>.XXX = ± .25      (MM) PARENTHESIS</p>				<p>10393 WEST 70TH STREET EDEN PRAIRIE, MN 55344 TEL (952) 947-1200 FAX (952) 947-1400</p>													
	<p>MATERIAL: 1.2mm GALVANIZED STEEL</p>		<p>DO NOT SCALE DRAWING</p> <table border="1"> <tr> <th>ACTIVITY</th> <th>SIGNATURE</th> <th>DATE</th> </tr> <tr> <td>DRAFTING</td> <td></td> <td></td> </tr> <tr> <td>MFG</td> <td></td> <td></td> </tr> <tr> <td>DESIGN</td> <td></td> <td></td> </tr> </table>		ACTIVITY	SIGNATURE	DATE	DRAFTING			MFG			DESIGN			<p>TITLE <b>FAN PLATE-TOP, POLAR AIR II</b></p>	
ACTIVITY	SIGNATURE	DATE																
DRAFTING																		
MFG																		
DESIGN																		
<p>FINISH:</p>		<p>DWG SIZE <b>B</b></p>		<p>PART NO <b>170052</b></p>		<p>REV <b>B</b></p>												
		<p>SCALE</p>		<p>SHEET <b>1</b> OF <b>2</b></p>		<p><b>NX</b></p>												

4

3

2

1

REVISIONS

ZONE	REV	PCO	DESCRIPTION	DRFT	DATE	CHKD

D

D

C

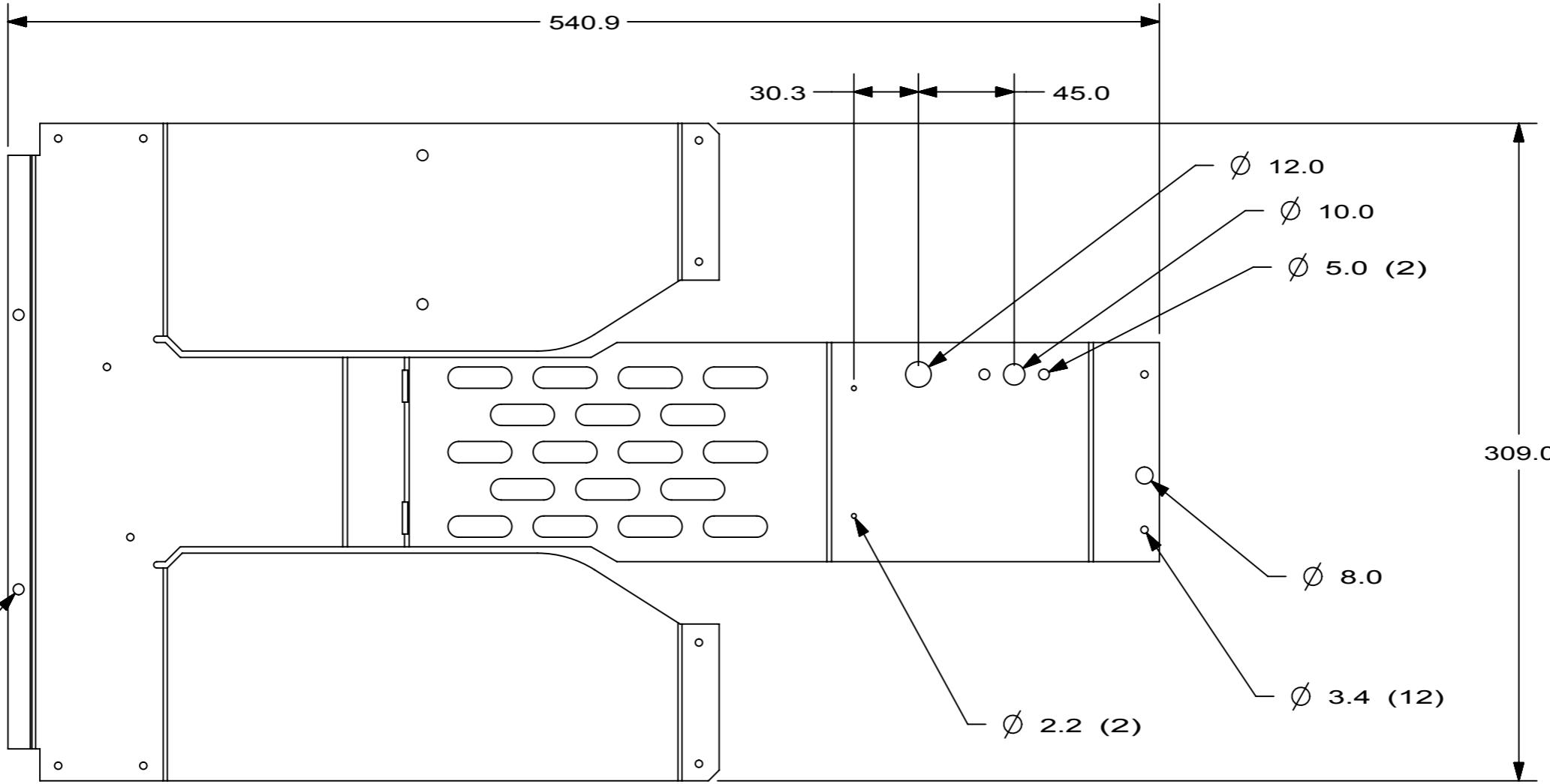
C

B

B

A

A



∅ 5.1 (4)

∅ 12.0

∅ 10.0

∅ 5.0 (2)

∅ 8.0

∅ 2.2 (2)

∅ 3.4 (12)

540.9

309.0

30.3

45.0

"CONFIDENTIAL"  
 PROPRIETARY INFORMATION; DO NOT  
 DISCLOSE SPECIFICATIONS CONTAINED ON  
 THIS DRAWING, WITHOUT AN AUTHORIZED  
 AND SIGNED ARIZANT HEALTHCARE INC.  
 CONFIDENTIALITY AGREEMENT

± TOLERANCE UNLESS OTHERWISE SPECIFIED  
 .X = ± 1.00 ANGLES  
 .XX = ± .50 ± 1°  
 .XXX = ± .25 (MM) PARENTHESIS

**Arizant Healthcare**  
 bright ideas that work  
 10393 WEST 70TH STREET  
 EDEN PRAIRIE, MN 55344  
 TEL (952) 947-1200  
 FAX (952) 947-1400

MATERIAL:  
 1.2mm GALVANIZED STEEL

DO NOT SCALE DRAWING

TITLE  
**FAN PLATE-TOP,  
 POLAR AIR II**

ACTIVITY	SIGNATURE	DATE
DRAFTING		
MFG		
DESIGN		

DWG SIZE	PART NO	REV
B	<b>170052</b>	B

SCALE	SHEET	2 OF 2	NX
-------	-------	--------	----

NOTES:

1. BASED ON 1mm INTERNAL BEND RADIUS.

4

3

2

1