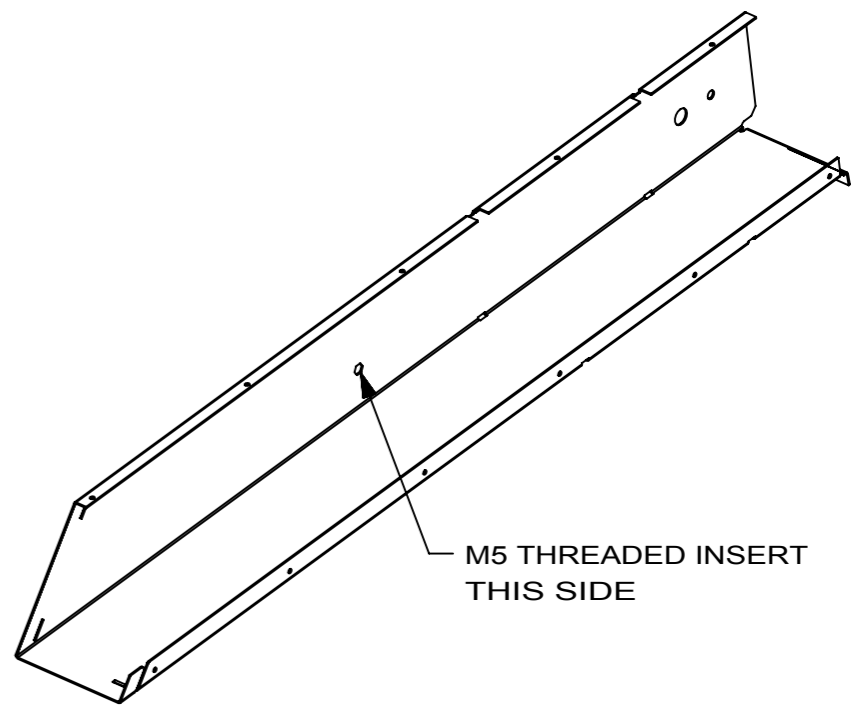
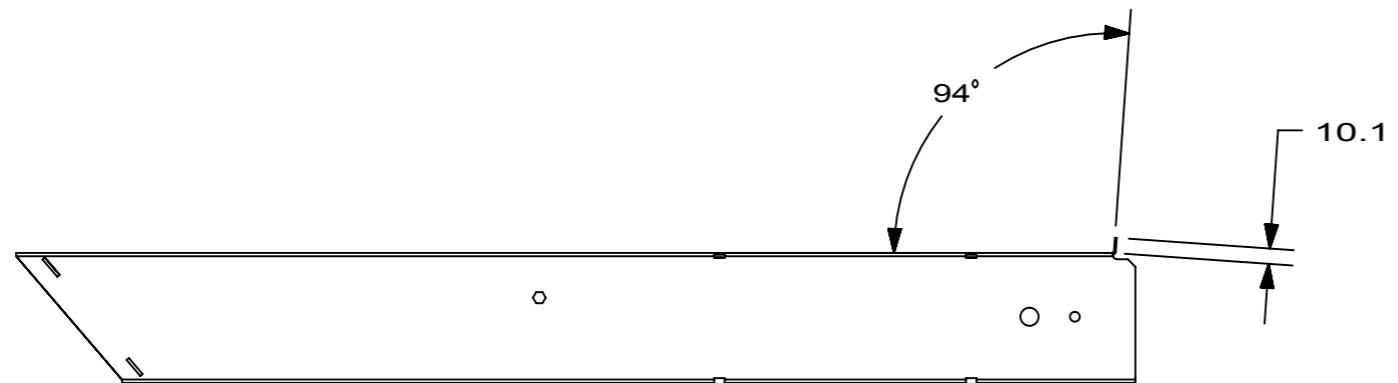
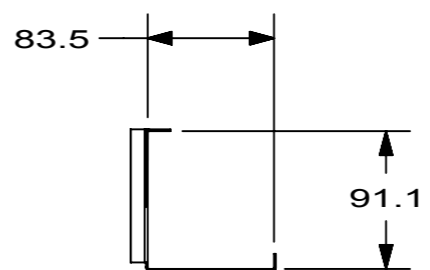
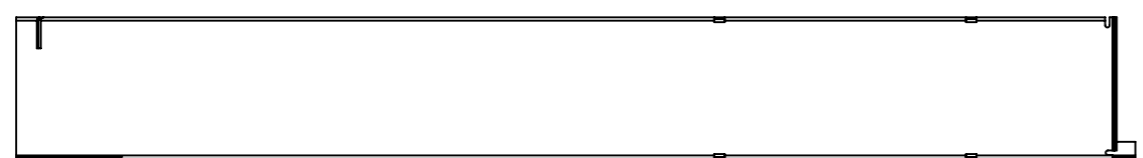


4 | 3 | 2 | 1

REVISIONS						
ZONE	REV	PCD	DESCRIPTION	DRFT	DATE	CHKD
	A	40001067-11	RELEASE	JJB	7-10-08	MM
	B	400011383	MOVED HOLES AND REMOVED BOTTOM HOLES	JJB	4-14-09	MM



D

C

B

A

D

C

B

A

"CONFIDENTIAL"
 PROPRIETARY INFORMATION; DO NOT
 DISCLOSE SPECIFICATIONS CONTAINED ON
 THIS DRAWING, WITHOUT AN AUTHORIZED
 AND SIGNED ARIZANT HEALTHCARE INC.
 CONFIDENTIALITY AGREEMENT

± TOLERANCE UNLESS OTHERWISE SPECIFIED
 .X = ± 1.00 ANGLES
 .XX = ± .50 ± 1°
 .XXX = ± .25 (MM) PARENTHESIS

Arizant Healthcare
 bright ideas that work
 10393 WEST 70TH STREET
 EDEN PRAIRIE, MN 55344
 TEL (952) 947-1200
 FAX (952) 947-1400

MATERIAL:
 1.2mm GALVANIZED STEEL

DO NOT SCALE DRAWING

TITLE
**HEATER PIPE,
 MAIN, POLAR AIR II**

FINISH:

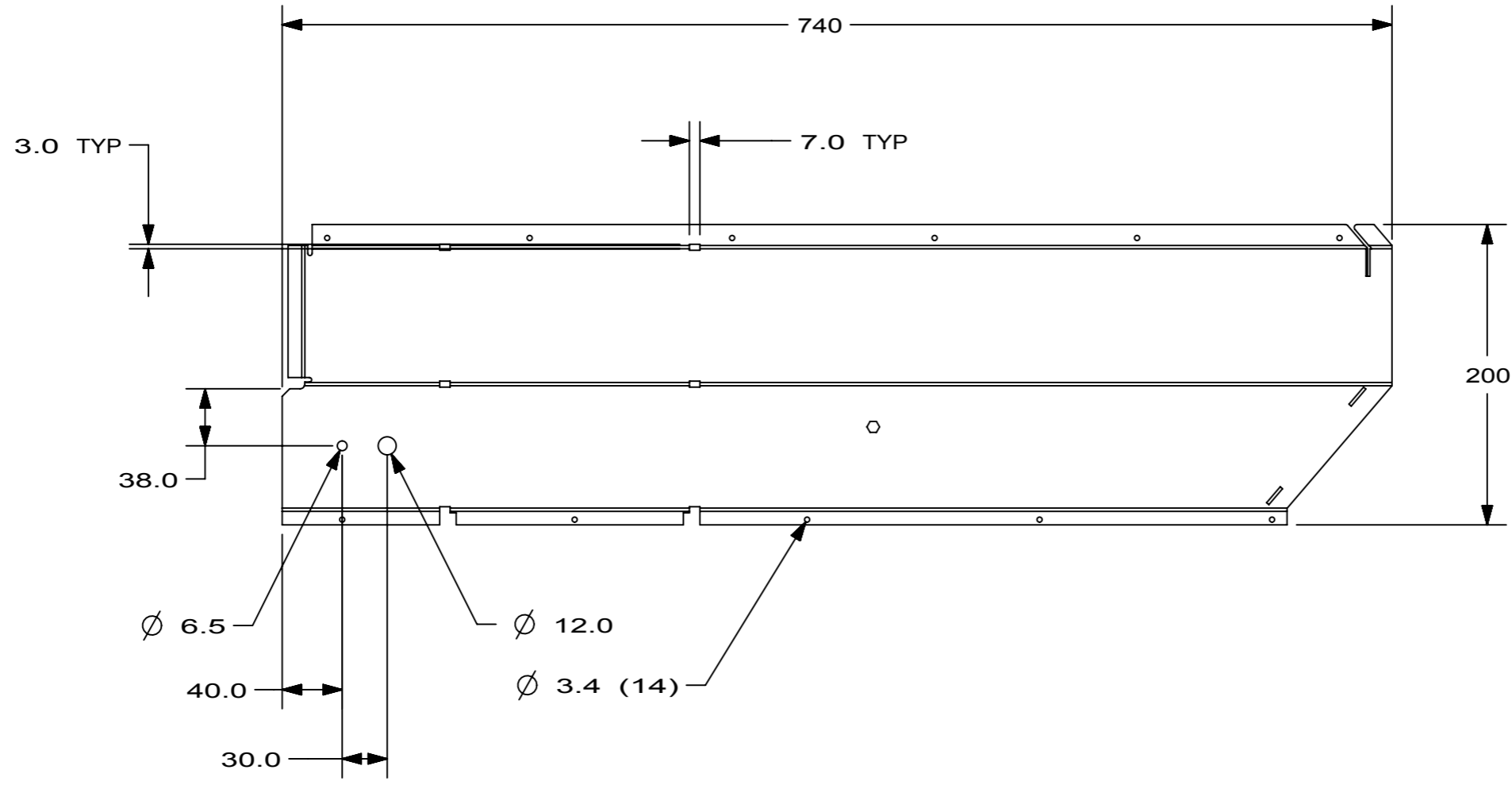
ACTIVITY	SIGNATURE	DATE
DRAFTING		
MFG		
DESIGN		

DWG SIZE	PART NO	REV
B	170054	B
SCALE	SHEET 1 OF 2	NX

4 | 3 | 2 | 1

4 3 2 1

REVISIONS						
ZONE	REV	PCO	DESCRIPTION	DRFT	DATE	CHKD



"CONFIDENTIAL"
 PROPRIETARY INFORMATION; DO NOT
 DISCLOSE SPECIFICATIONS CONTAINED ON
 THIS DRAWING, WITHOUT AN AUTHORIZED
 AND SIGNED ARIZANT HEALTHCARE INC.
 CONFIDENTIALITY AGREEMENT

! TOLERANCE UNLESS OTHERWISE SPECIFIED
 .X = ± 1.00 ANGLES
 .XX = ± .50 ! 1°
 .XXX = ± .25
 (MM) PARENTHESIS

Arizant Healthcare
bright ideas that work
 10393 WEST 70TH STREET
 EDEN PRAIRIE, MN 55344
 TEL (952) 947-1200
 FAX (952) 947-1400

MATERIAL:
 1.2mm GALVANIZED STEEL

DO NOT SCALE DRAWING

TITLE
 HEATER PIPE,
 MAIN, POLAR AIR II

ACTIVITY	SIGNATURE	DATE
DRAFTING		
MFG		
DESIGN		

DWG SIZE	PART NO	REV
B	170054	B

SCALE	SHEET	OF	REV
	2	2	NX

4 3 2 1