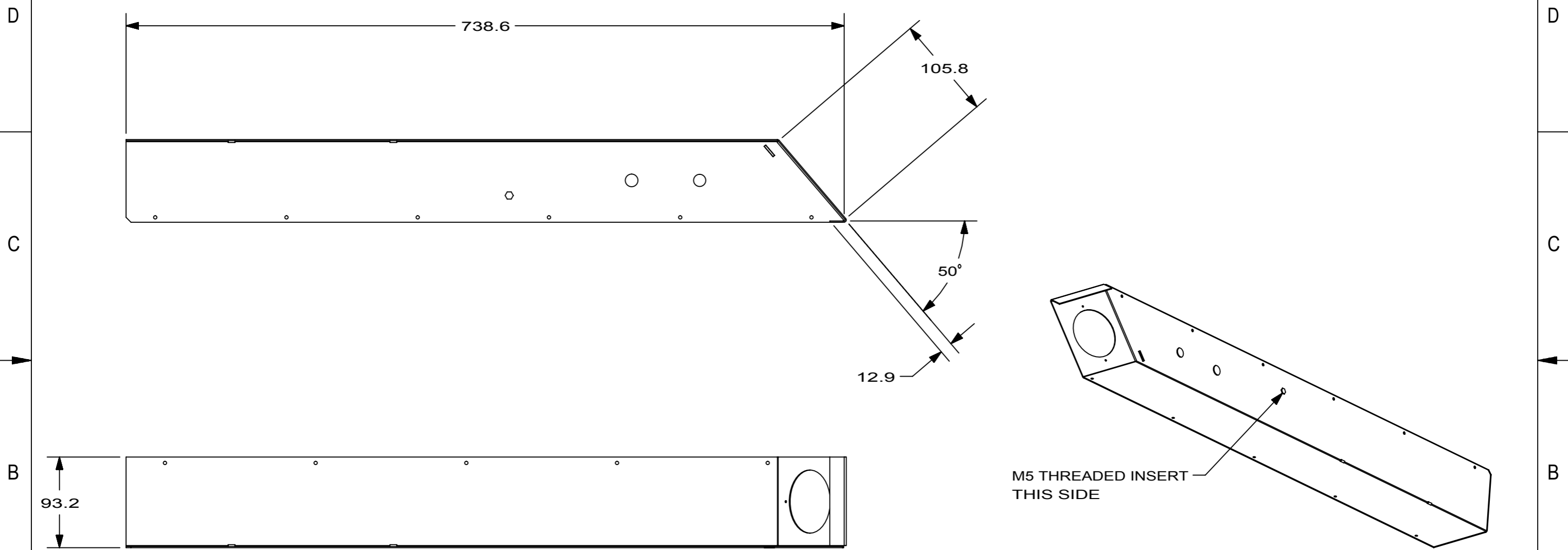


4 | 3 | 2 | 1

REVISIONS						
ZONE	REV	POD	DESCRIPTION	DRFT	DATE	CHKD
	A	40001067-11	RELEASE	JJB	7-10-08	MM
	B	40001383	CHANGED HOLE SIZES AND REMOVED BOTTOM HOLES	JJB	4-14-09	MM



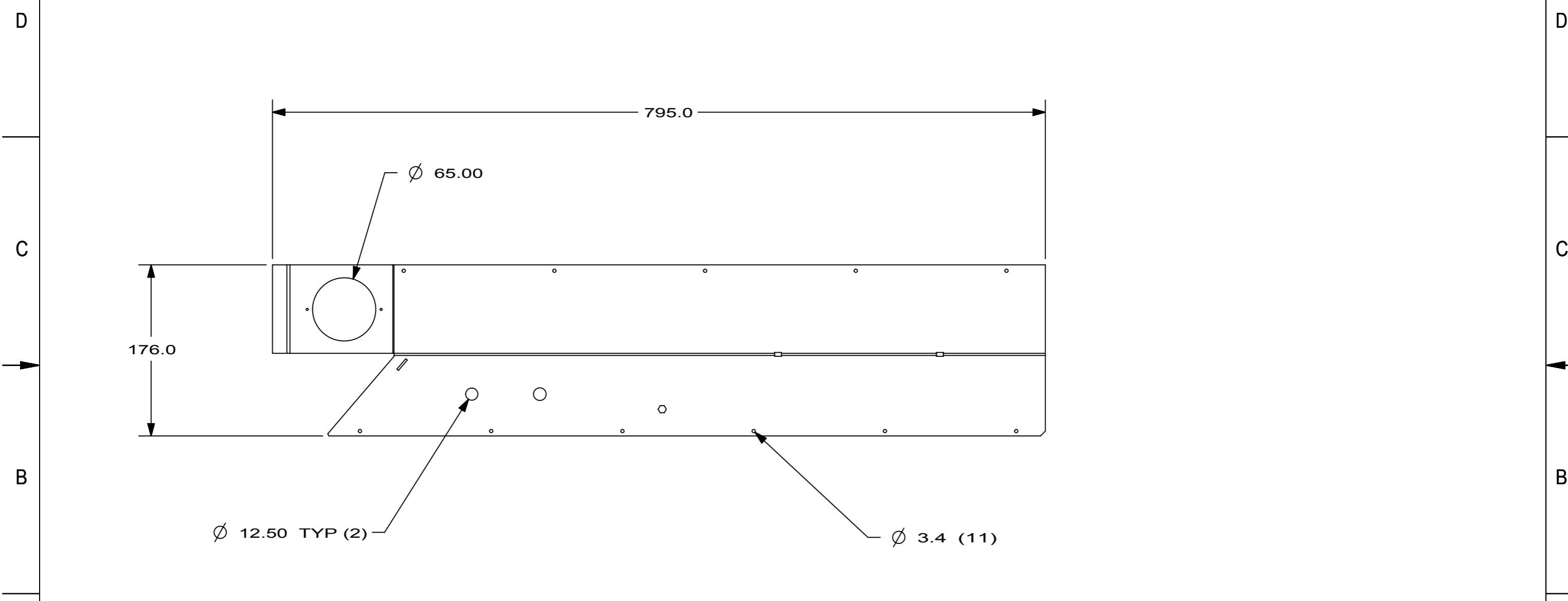
A

<p>"CONFIDENTIAL" PROPRIETARY INFORMATION; DO NOT DISCLOSE SPECIFICATIONS CONTAINED ON THIS DRAWING, WITHOUT AN AUTHORIZED AND SIGNED ARIZANT HEALTHCARE INC. CONFIDENTIALITY AGREEMENT</p>	<p>! TOLERANCE UNLESS OTHERWISE SPECIFIED</p> <p>.X = ± 1.00 ANGLES</p> <p>.XX = ± .50 ! 1°</p> <p>.XXX = ± .25 (MM) PARENTHESIS</p>		<p>Arizant Healthcare <i>bright ideas that work</i></p> <p>10393 WEST 70TH STREET EDEN PRAIRIE, MN 55344 TEL (952) 947-1200 FAX (952) 947-1400</p>			
	<p>MATERIAL: 1.2mm GALVANIZED STEEL</p>	<p>DO NOT SCALE DRAWING</p>		<p>TITLE HEATER PIPE, BACK, POLAR AIR II</p>		
<p>FINISH:</p>	<p>ACTIVITY</p> <p>DRAFTING</p> <p>MFG</p> <p>DESIGN</p>	<p>SIGNATURE</p>	<p>DATE</p>	<p>DWG SIZE</p> <p>B</p>	<p>PART NO</p> <p>170055</p>	<p>REV</p> <p>B</p>
			<p>SCALE</p>	<p>SHEET</p> <p>1 OF 2</p>	<p>NX</p>	

4 | 3 | 2 | 1

4 3 2 1

REVISIONS						
ZONE	REV	PCD	DESCRIPTION	DRFT	DATE	CHKD



NOTES:
1. BASED ON 1mm INTERNAL BEND RADIUS.

"CONFIDENTIAL"
PROPRIETARY INFORMATION; DO NOT DISCLOSE SPECIFICATIONS CONTAINED ON THIS DRAWING, WITHOUT AN AUTHORIZED AND SIGNED ARIZANT HEALTHCARE INC. CONFIDENTIALITY AGREEMENT

! TOLERANCE UNLESS OTHERWISE SPECIFIED
.X = ± 1.00 ANGLES
.XX = ± .50 ! 1°
.XXX = ± .25 (MM) PARENTHESIS

Arizant Healthcare
bright ideas that work
10393 WEST 70TH STREET
EDEN PRAIRIE, MN 55344
TEL (952) 947-1200
FAX (952) 947-1400

MATERIAL:
1.2mm GALVANIZED STEEL

DO NOT SCALE DRAWING

TITLE
**HEATER PIPE,
BACK, POLAR AIR II**

FINISH:

ACTIVITY	SIGNATURE	DATE
DRAFTING		
MFG		
DESIGN		

DWG SIZE	PART NO	REV
B	170055	B
SCALE	SHEET 2 OF 2	NX

4 3 2 1