

4

3

2

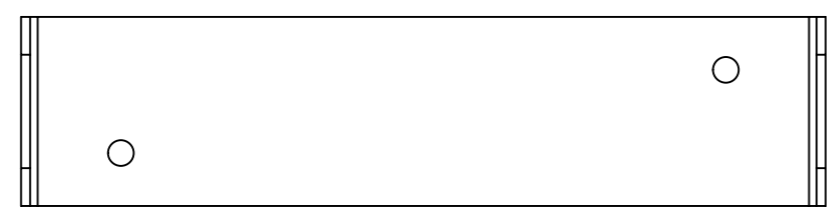
1

REVISIONS

ZONE	REV	PCO	DESCRIPTION	DRFT	DATE	CHKD
	A	40001067-4	RELEASE	JJB	7-10-08	MM
	B	40001197-1	CHANGED SLOT SIZE	JJB	9-29-08	MM
	C	40001383	CHANGED HOLE SIZE	JJB	4-14-09	MM

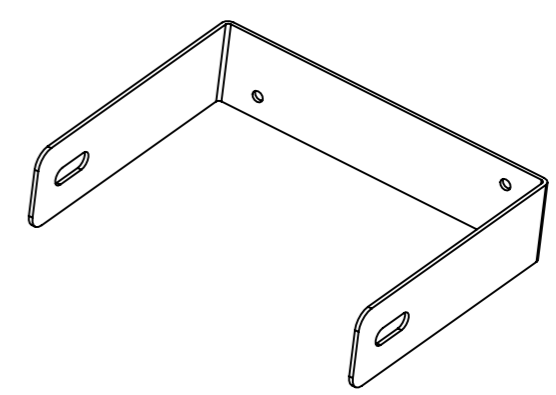
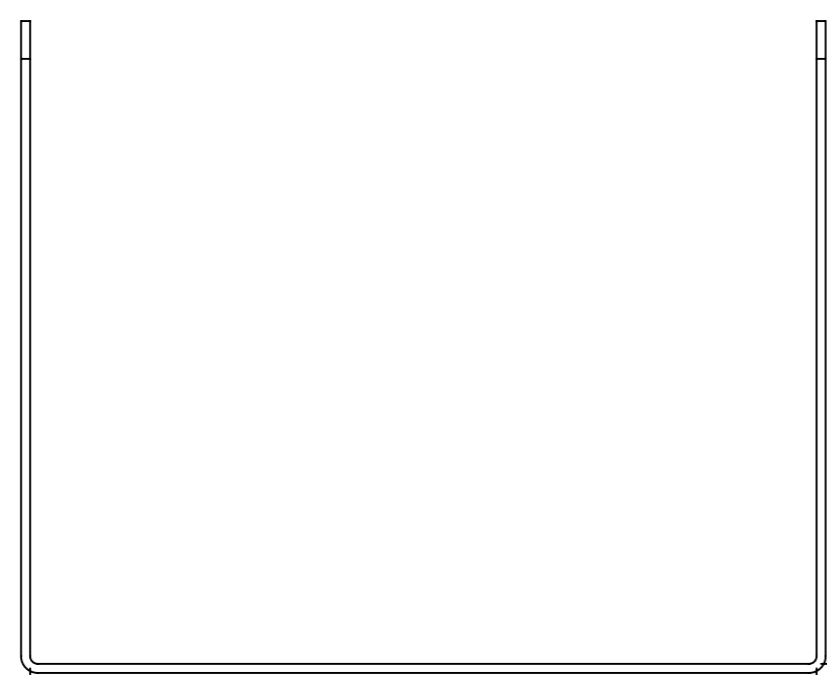
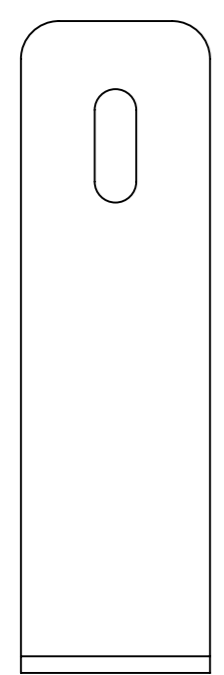
D

D



C

C



B

B

A

A

<p>"CONFIDENTIAL" PROPRIETARY INFORMATION; DO NOT DISCLOSE SPECIFICATIONS CONTAINED ON THIS DRAWING, WITHOUT AN AUTHORIZED AND SIGNED ARIZANT HEALTHCARE INC. CONFIDENTIALITY AGREEMENT</p>	<p>! TOLERANCE UNLESS OTHERWISE SPECIFIED</p> <p>.X = ± 1.00 ANGLES</p> <p>.XX = ± .50 ! 1°</p> <p>.XXX = ± .25 (MM) PARENTHESIS</p>		<p>Arizant Healthcare <i>bright ideas that work</i></p> <p>10393 WEST 70TH STREET EDEN PRAIRIE, MN 55344 TEL (952) 947-1200 FAX (952) 947-1400</p>	
	<p>MATERIAL: 1.2mm GALVANIZED STEEL</p>		<p>TITLE HEATER PIPE BRACKET, POLAR AIR II</p>	
<p>FINISH:</p>	<p>DO NOT SCALE DRAWING</p>	<p>ACTIVITY</p>	<p>SIGNATURE</p>	<p>DATE</p>
	<p>DRAFTING</p>	<p>MFG</p>	<p>DWG SIZE</p>	<p>PART NO</p>
	<p>DESIGN</p>	<p>SCALE</p>	<p>170057</p>	<p>REV C</p>
			<p>SHEET 1 OF 2</p>	<p>NX</p>

4

3

2

1

4

3

2

1

REVISIONS

ZONE	REV	PCO	DESCRIPTION	DRFT	DATE	CHKD

D

D

C

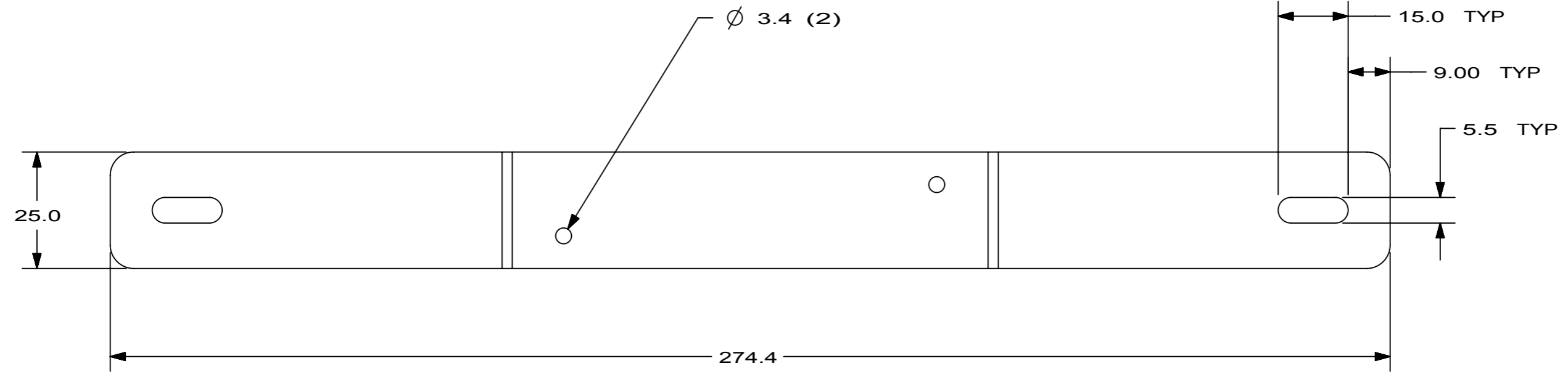
C

B

B

A

A



NOTES:

1. BASED ON 1mm INTERNAL BEND RADIUS.

<p>"CONFIDENTIAL" PROPRIETARY INFORMATION; DO NOT DISCLOSE SPECIFICATIONS CONTAINED ON THIS DRAWING, WITHOUT AN AUTHORIZED AND SIGNED ARIZANT HEALTHCARE INC. CONFIDENTIALITY AGREEMENT</p>	<p>! TOLERANCE UNLESS OTHERWISE SPECIFIED</p> <p>.X = ± 1.00 ANGLES</p> <p>.XX = ± .50 ! 1°</p> <p>.XXX = ± .25 (MM) PARENTHESIS</p>		<p>Arizant Healthcare <i>bright ideas that work</i></p> <p>10393 WEST 70TH STREET EDEN PRAIRIE, MN 55344 TEL (952) 947-1200 FAX (952) 947-1400</p>															
	<p>MATERIAL: 1.2mm GALVANIZED STEEL</p>		<p>DO NOT SCALE DRAWING</p> <table border="1"> <tr> <th>ACTIVITY</th> <th>SIGNATURE</th> <th>DATE</th> </tr> <tr> <td>DRAFTING</td> <td> </td> <td> </td> </tr> <tr> <td>MFG</td> <td> </td> <td> </td> </tr> <tr> <td>DESIGN</td> <td> </td> <td> </td> </tr> </table>			ACTIVITY	SIGNATURE	DATE	DRAFTING			MFG			DESIGN			<p>TITLE HEATER PIPE BRACKET, POLAR AIR II</p>
ACTIVITY	SIGNATURE	DATE																
DRAFTING																		
MFG																		
DESIGN																		
<p>FINISH:</p>		<p>DWG SIZE B PART NO 170057 REV C</p>		<p>SCALE SHEET 2 OF 2 NX</p>														

4

3

2

1