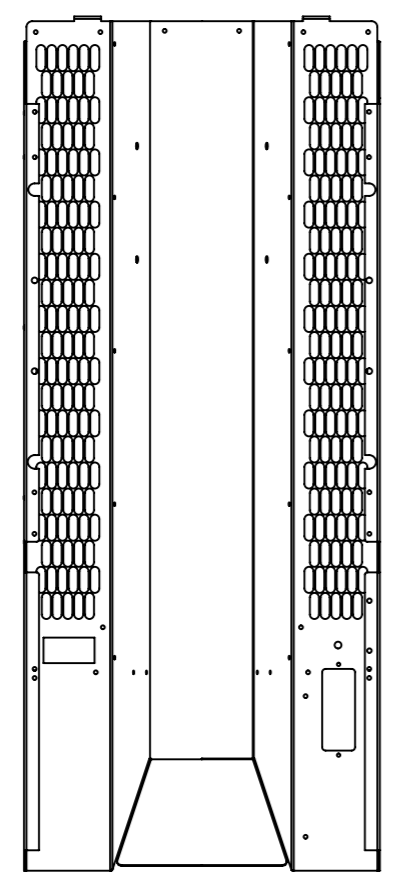
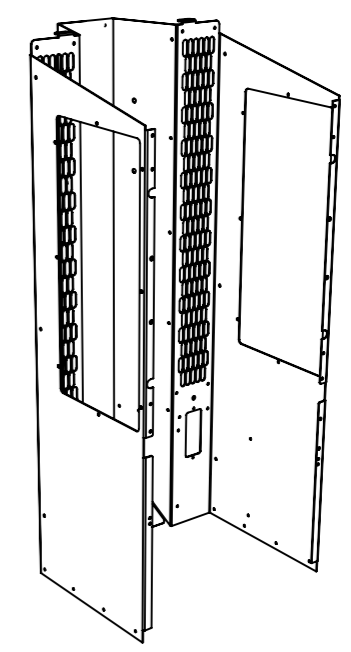
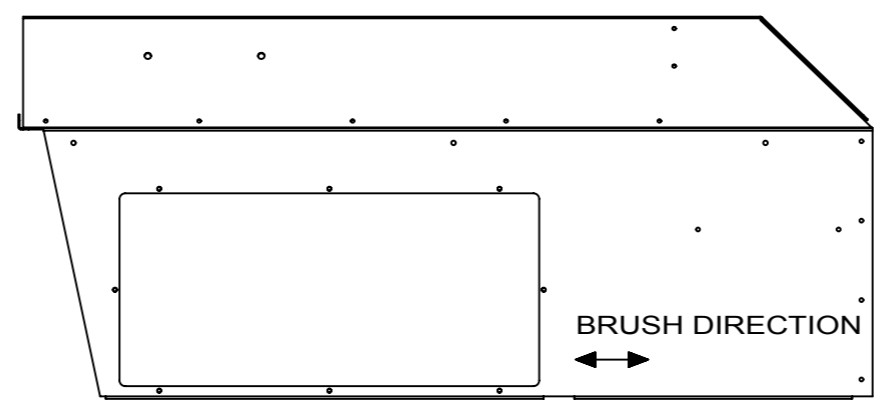
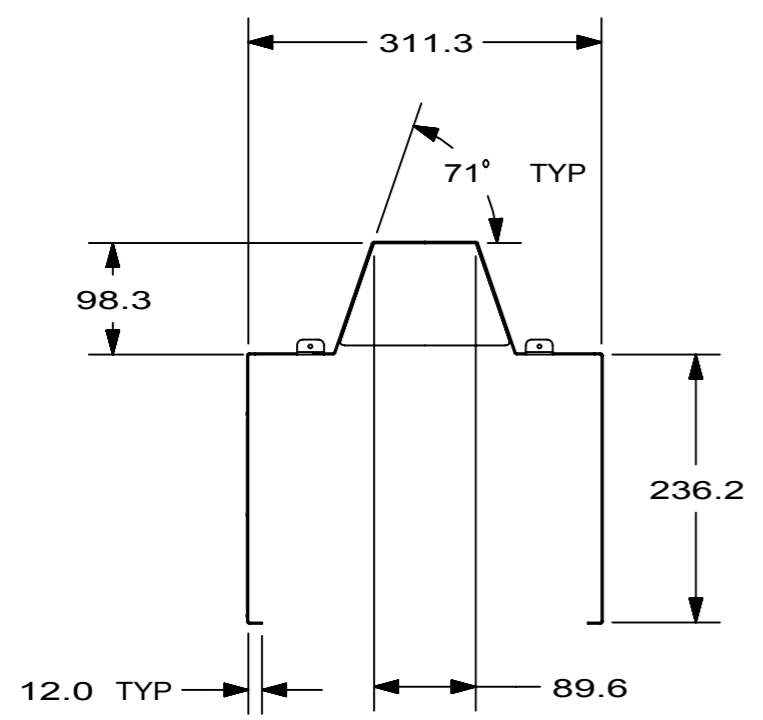


4 3 2 1

REVISIONS						
ZONE	REV	POD	DESCRIPTION	DRFT	DATE	CHKD
	A	40001067-10	RELEASE	JJB	7-10-08	MM
	B	40001203	REMOVED MOUNTING HOLES FOR OLD WHEELS	JJB	9-30-08	MM
	C	40001383	CHANGED RIVET HOLE DIAMETERS AND PEM HOLES	JJB	4-16-09	MM



<p>"CONFIDENTIAL" PROPRIETARY INFORMATION; DO NOT DISCLOSE SPECIFICATIONS CONTAINED ON THIS DRAWING, WITHOUT AN AUTHORIZED AND SIGNED ARIZANT HEALTHCARE INC. CONFIDENTIALITY AGREEMENT</p>	<p>± TOLERANCE UNLESS OTHERWISE SPECIFIED</p> <p>.X = ± 1.00      ANGLES</p> <p>.XX = ± .50      ± 1°</p> <p>.XXX = ± .25      (MM) PARENTHESIS</p>		<p><b>Arizant Healthcare</b> bright ideas that work</p> <p>10393 WEST 70TH STREET EDEN PRAIRIE, MN 55344 TEL (952) 947-1200 FAX (952) 947-1400</p>			
	<p>MATERIAL: 1.2mm BRUSHED 304 STAINLESS STEEL</p>		<p>TITLE: CHASSIS, POLAR AIR II</p>			
<p>FINISH:</p>	<p>DO NOT SCALE DRAWING</p>		DWG SIZE	PART NO	REV	
	DRAFTING	SIGNATURE	DATE	B	170060	C
	MFG			SCALE	SHEET 1 OF 2	NX

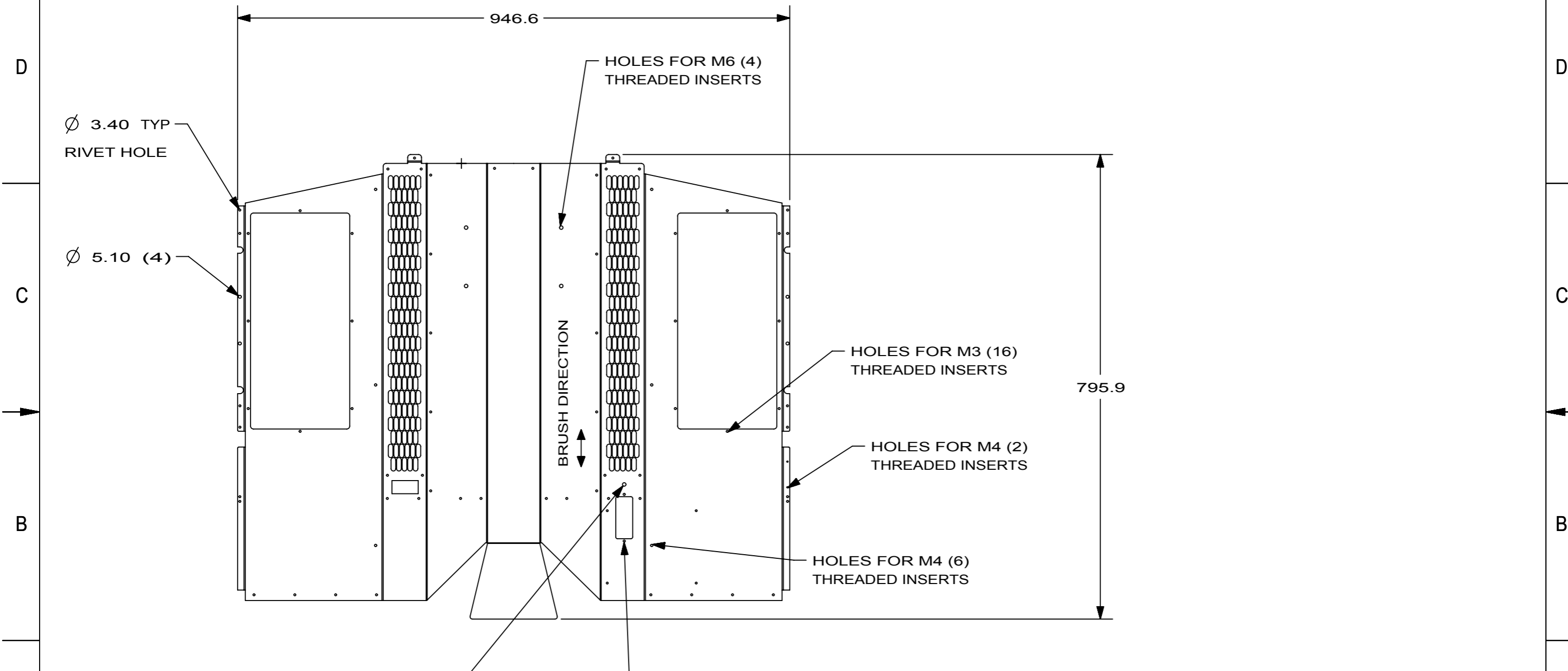
4 3 2 1

D  
C  
B  
A

D  
C  
B  
A

4 3 2 1

REVISIONS						
ZONE	REV	POD	DESCRIPTION	DRFT	DATE	CHKD



D  
C  
B  
A

D  
C  
B  
A

4 3 2 1

"CONFIDENTIAL"  
 PROPRIETARY INFORMATION; DO NOT DISCLOSE SPECIFICATIONS CONTAINED ON THIS DRAWING, WITHOUT AN AUTHORIZED AND SIGNED ARIZANT HEALTHCARE INC. CONFIDENTIALITY AGREEMENT

! TOLERANCE UNLESS OTHERWISE SPECIFIED  
 .X = ± 1.00 ANGLES  
 .XX = ± .50 ! 1°  
 .XXX = ± .25 (MM) PARENTHESIS

**Arizant Healthcare**  
 bright ideas that work

10393 WEST 70TH STREET  
 EDEN PRAIRIE, MN 55344  
 TEL (952) 947-1200  
 FAX (952) 947-1400

MATERIAL: 1.2mm BRUSHED 304 STAINLESS STEEL

DO NOT SCALE DRAWING

TITLE  
**CHASSIS, POLAR AIR II**

FINISH:

ACTIVITY	SIGNATURE	DATE
DRAFTING		
MFG		
DESIGN		

DWG SIZE	PART NO	REV
B	170060	C

SCALE SHEET 2 OF 2 NX