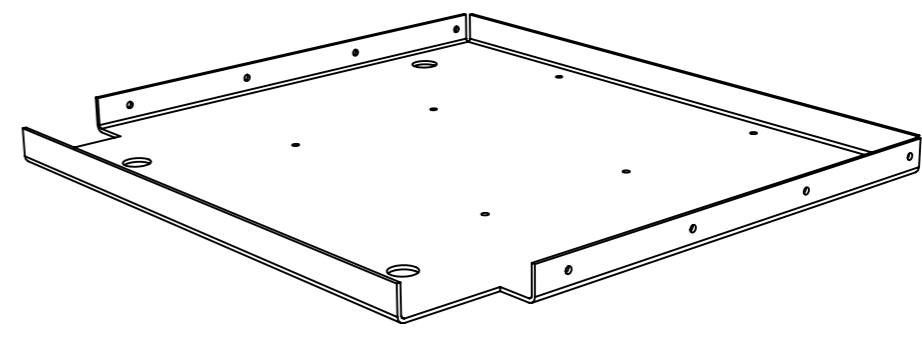
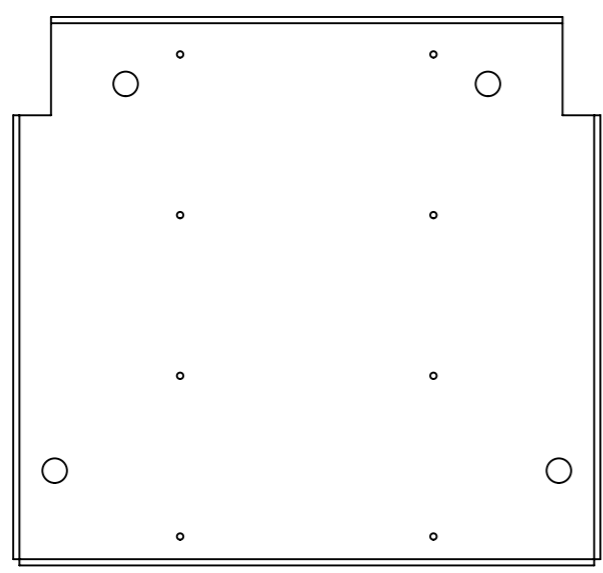
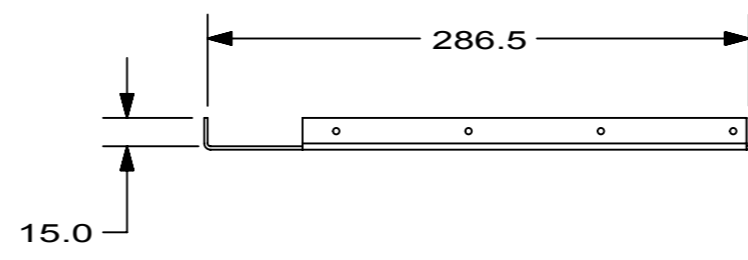
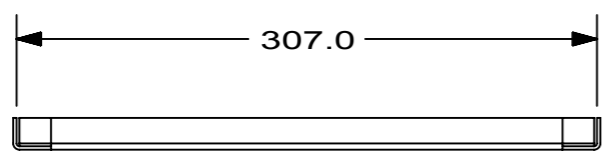


4 3 2 1

REVISIONS						
ZONE	REV	PO	DESCRIPTION	DRFT	DATE	CHKD
	A	40001067-10	RELEASE	JJB	7-10-08	MM
	B	40001195	CHANGED MOUNTING HOLES	JJB	9-10-08	MM
	C	40001383	CHANGED MOUNTING HOLE SIZE AND REMOVED LARGE INLET HOLE	JJB	4-16-09	MM



D
C
B
A

D
C
B
A

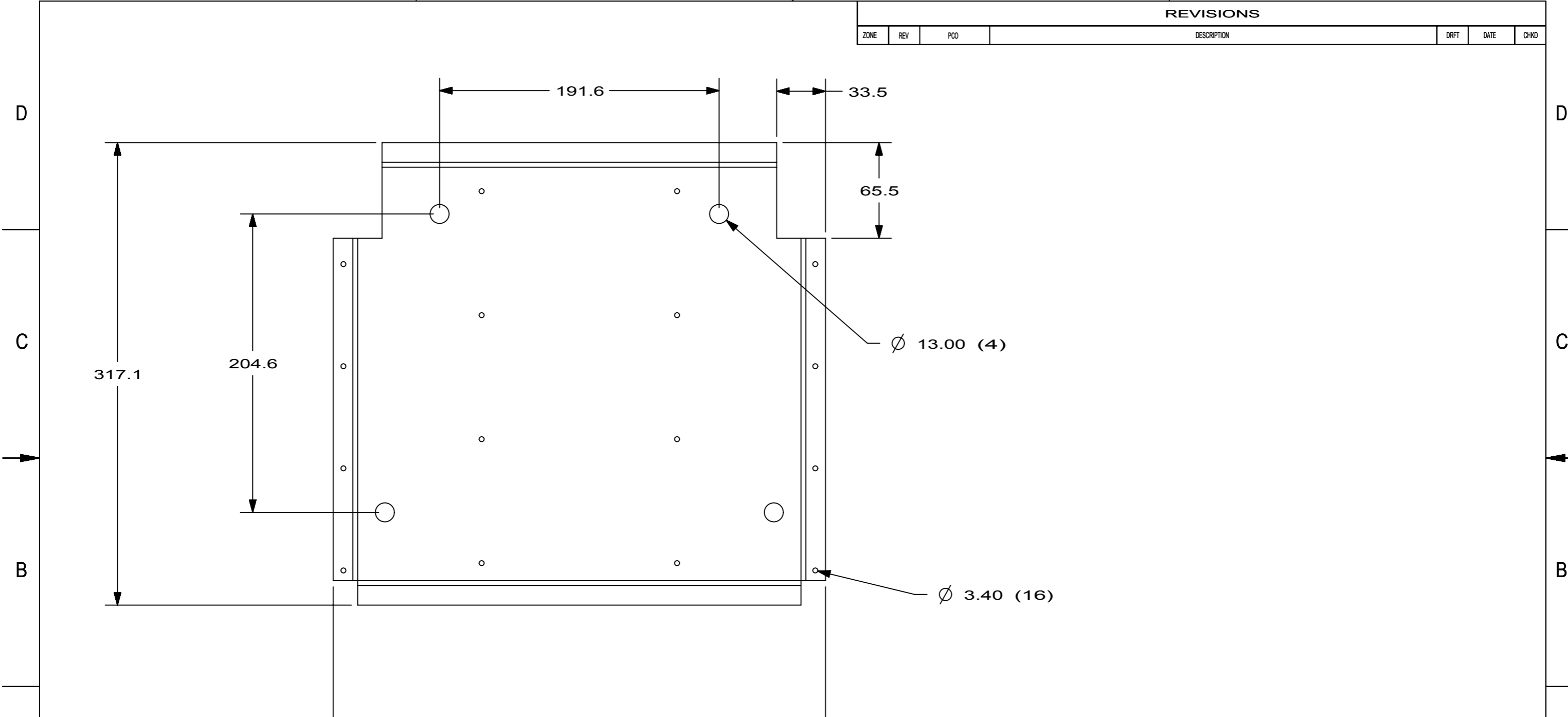
4 3 2 1

<p>"CONFIDENTIAL" PROPRIETARY INFORMATION; DO NOT DISCLOSE SPECIFICATIONS CONTAINED ON THIS DRAWING, WITHOUT AN AUTHORIZED AND SIGNED ARIZANT HEALTHCARE INC. CONFIDENTIALITY AGREEMENT</p>	<p>! TOLERANCE UNLESS OTHERWISE SPECIFIED</p> <p>.X = ± 1.00 ANGLES</p> <p>.XX = ± .50 ! 1°</p> <p>.XXX = ± .25</p> <p>(MM) PARENTHESIS</p>		<p>Arizant Healthcare <i>bright ideas that work</i></p> <p>10393 WEST 70TH STREET EDEN PRAIRIE, MN 55344 TEL (952) 947-1200 FAX (952) 947-1400</p>			
	<p>MATERIAL: 1.2mm GALVANIZED STEEL</p>		<p>TITLE BASE, POLAR AIR II</p>			
<p>FINISH:</p>	<p>DO NOT SCALE DRAWING</p>		DWG SIZE	PART NO	REV	
	DRAFTING	SIGNATURE	DATE	B	170061	C
	MFG			SCALE	SHEET 1 OF 2	NX

4 3 2 1

REVISIONS

ZONE	REV	POD	DESCRIPTION	DRFT	DATE	CHKD
------	-----	-----	-------------	------	------	------



D
C
B
A

D
C
B
A

<p>"CONFIDENTIAL" PROPRIETARY INFORMATION; DO NOT DISCLOSE SPECIFICATIONS CONTAINED ON THIS DRAWING, WITHOUT AN AUTHORIZED AND SIGNED ARIZANT HEALTHCARE INC. CONFIDENTIALITY AGREEMENT</p>	<p>! TOLERANCE UNLESS OTHERWISE SPECIFIED</p> <p>.X = ± 1.00 ANGLES</p> <p>.XX = ± .50 ! 1°</p> <p>.XXX = ± .25 (MM) PARENTHESIS</p>		<p>Arizant Healthcare <i>bright ideas that work</i></p> <p>10393 WEST 70TH STREET EDEN PRAIRIE, MN 55344 TEL (952) 947-1200 FAX (952) 947-1400</p>	
	<p>MATERIAL: 1.2mm BRUSHED 304 STAINLESS STEEL</p>		<p>TITLE BASE, POLAR AIR II</p>	
<p>DO NOT SCALE DRAWING</p>		ACTIVITY	SIGNATURE	DATE
<p>FINISH:</p>		DRAFTING		
		MFG		
		DESIGN		
DWG SIZE	PART NO	REV		
B	170061	C		
SCALE	SHEET	2 OF 2	NX	

4 3 2 1