

4

3

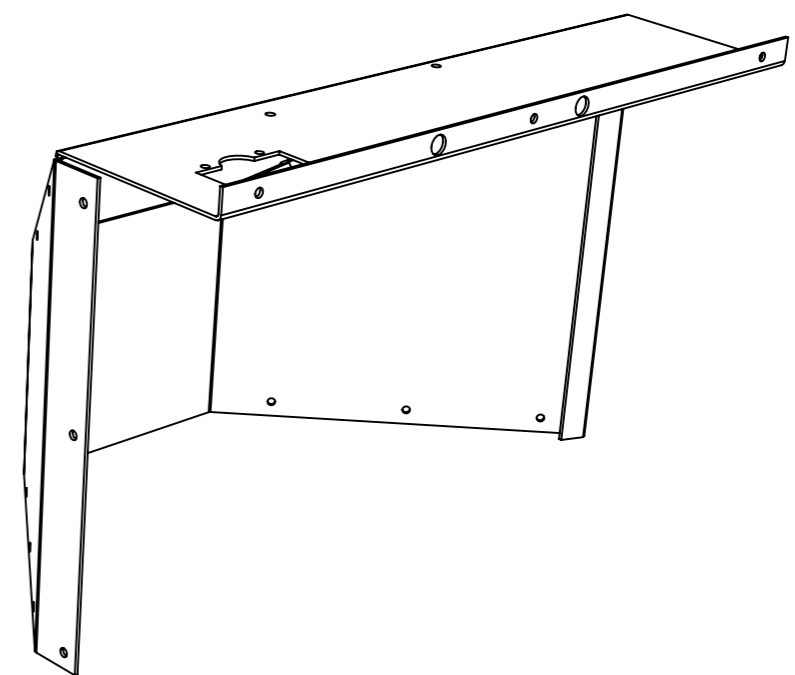
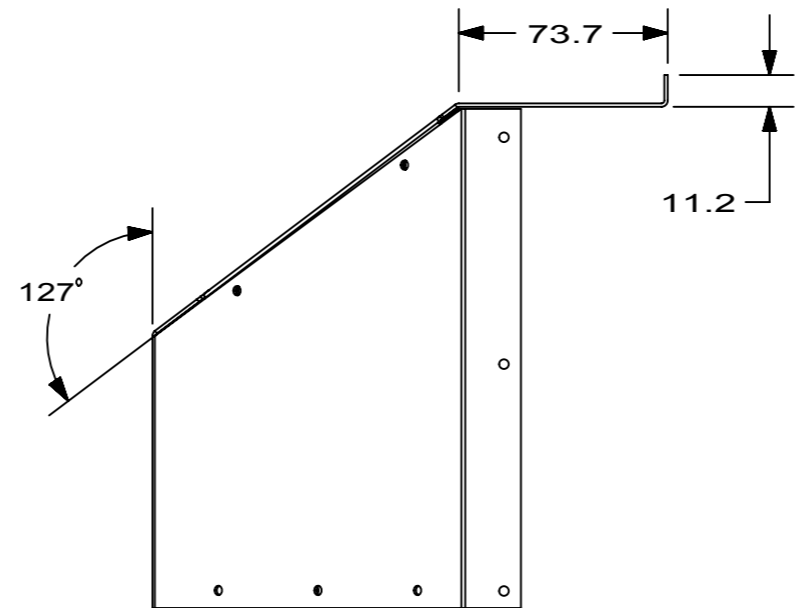
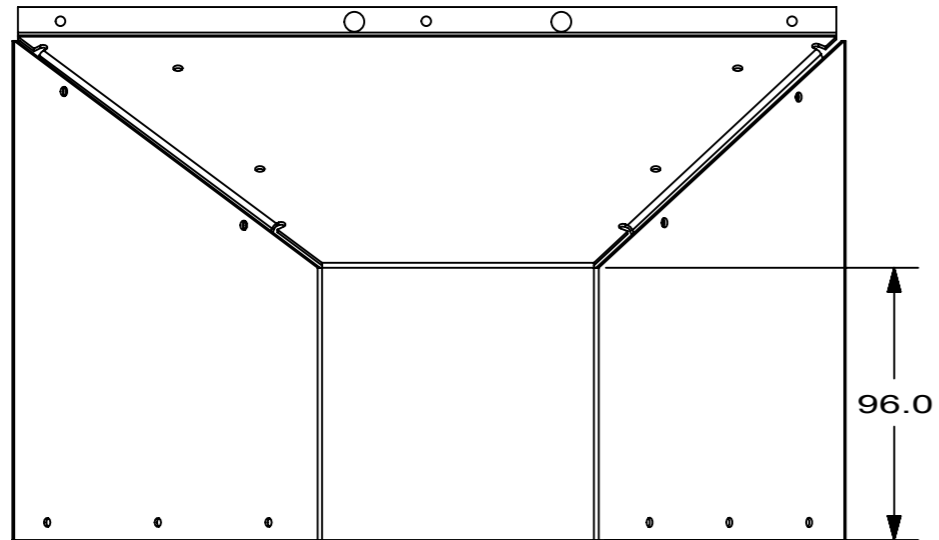
2

1

REVISIONS						
ZONE	REV	PCD	DESCRIPTION	DRFT	DATE	CHKD
	A	40001067-6	RELEASE	JJB	7-10-08	MM
	B	40001383	CHANGED RIVET HOLE DIAMETER AND FLANGE WIDTH	JJB	4-16-09	MM

D

D

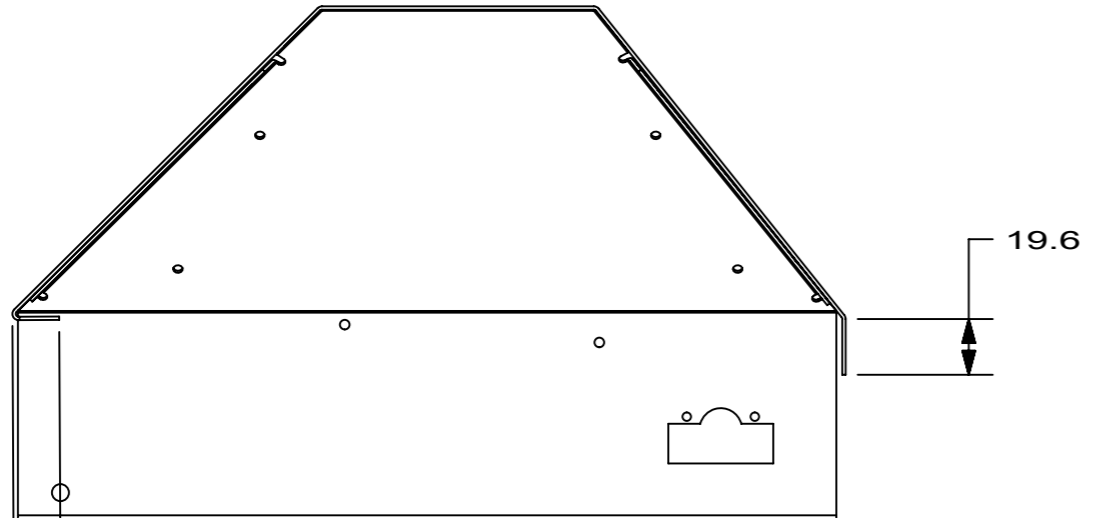


C

C

B

B



A

A

<p>"CONFIDENTIAL"          PROPRIETARY INFORMATION; DO NOT DISCLOSE SPECIFICATIONS CONTAINED ON THIS DRAWING, WITHOUT AN AUTHORIZED AND SIGNED ARIZANT HEALTHCARE INC. CONFIDENTIALITY AGREEMENT</p>	<p>! TOLERANCE UNLESS OTHERWISE SPECIFIED</p> <p>.X = ± 1.00      ANGLES</p> <p>.XX = ± .50      ! 1°</p> <p>.XXX = ± .25      (MM) PARENTHESIS</p>		<p><b>Arizant Healthcare</b>  <i>bright ideas that work</i></p> <p>10393 WEST 70TH STREET          EDEN PRAIRIE, MN 55344          TEL (952) 947-1200          FAX (952) 947-1400</p>	
	<p>MATERIAL:          1.2mm GALVANIZED STEEL</p>		<p>TITLE  <b>FILTER BOX TOP,          POLAR AIR II</b></p>	
<p>FINISH:</p>	<p>DO NOT SCALE DRAWING</p>		DWG SIZE	REV
	ACTIVITY	SIGNATURE	DATE	B
	DRAFTING			170063
	MFG			B
	DESIGN			NX
<p>SCALE</p>			<p>SHEET 1 OF 2</p>	

4

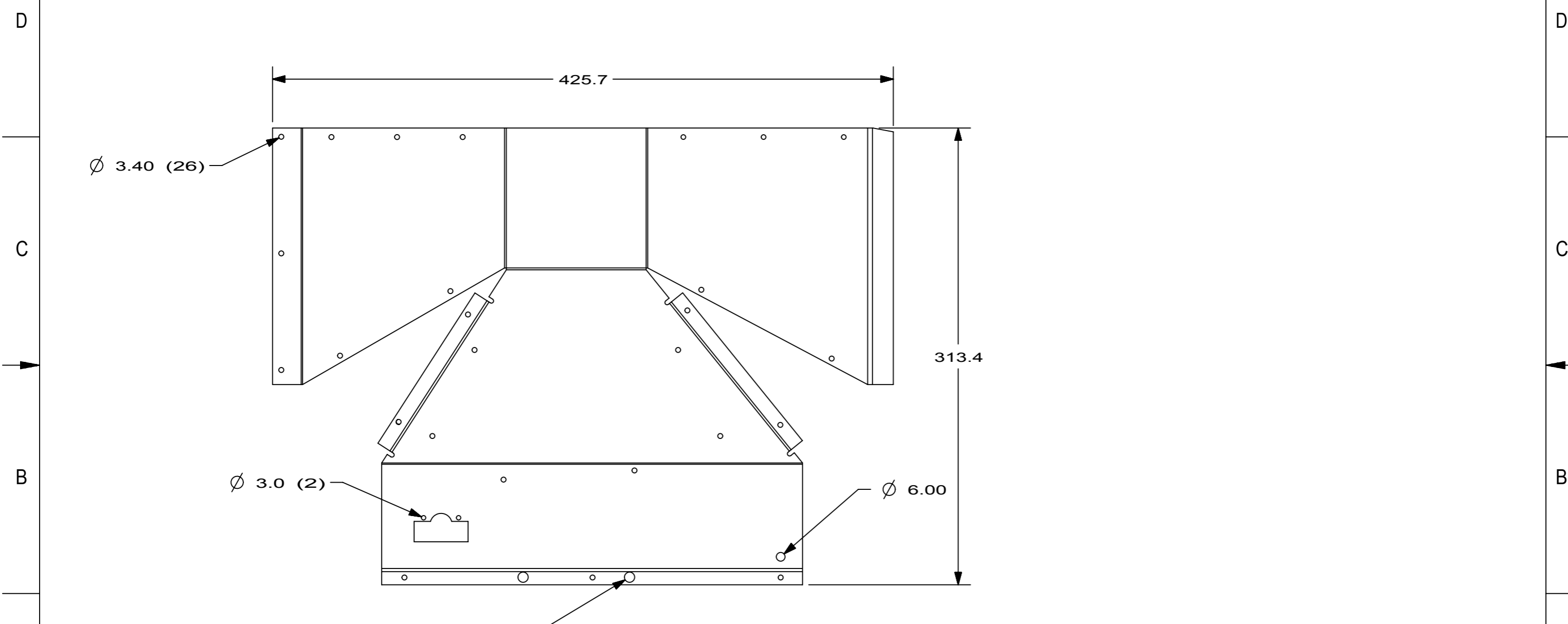
3

2

1

4 3 2 1

REVISIONS						
ZONE	REV	PCO	DESCRIPTION	DRFT	DATE	CHKD



NOTES:  
1. BASED ON 1mm INTERNAL BEND RADIUS.

"CONFIDENTIAL"  
PROPRIETARY INFORMATION; DO NOT DISCLOSE SPECIFICATIONS CONTAINED ON THIS DRAWING, WITHOUT AN AUTHORIZED AND SIGNED ARIZANT HEALTHCARE INC. CONFIDENTIALITY AGREEMENT

! TOLERANCE UNLESS OTHERWISE SPECIFIED  
.X = ! 1.00 ANGLES  
.XX = ! .50 ! 1°  
.XXX = ! .25 (MM) PARENTHESIS

**Arizant Healthcare**  
bright ideas that work  
10393 WEST 70TH STREET  
EDEN PRAIRIE, MN 55344  
TEL (952) 947-1200  
FAX (952) 947-1400

MATERIAL:  
1.2mm GALVANIZED STEEL

DO NOT SCALE DRAWING

TITLE  
**FILTER BOX TOP,  
POLAR AIR II**

FINISH:	
---------	--

ACTIVITY	SIGNATURE	DATE
DRAFTING		
MFG		
DESIGN		

DWG SIZE	PART NO	REV
B	<b>170063</b>	B
SCALE	SHEET	2 OF 2
		NX

4 3 2 1