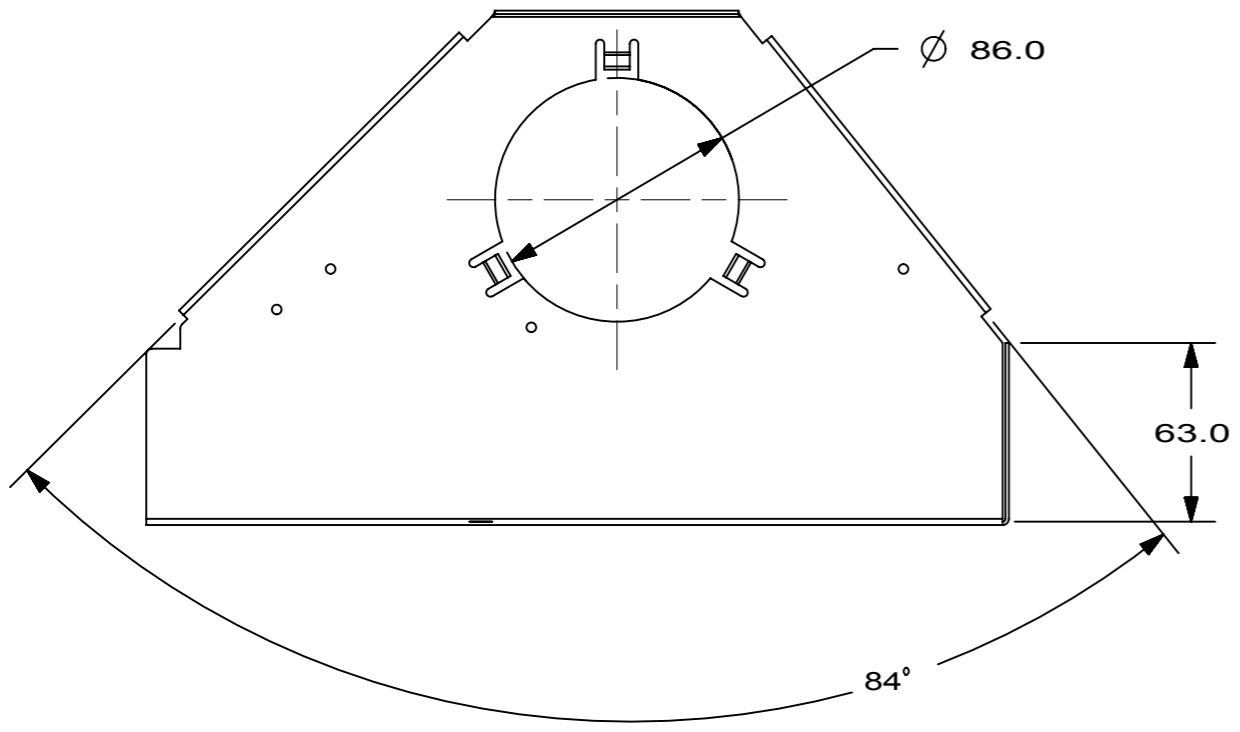
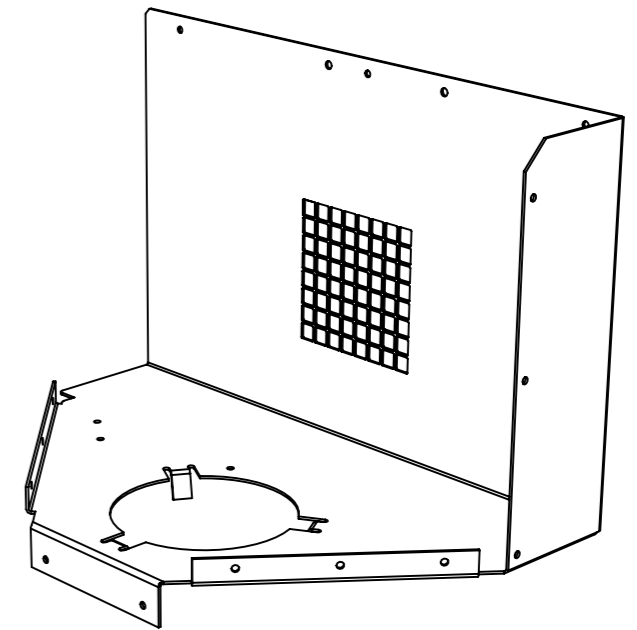
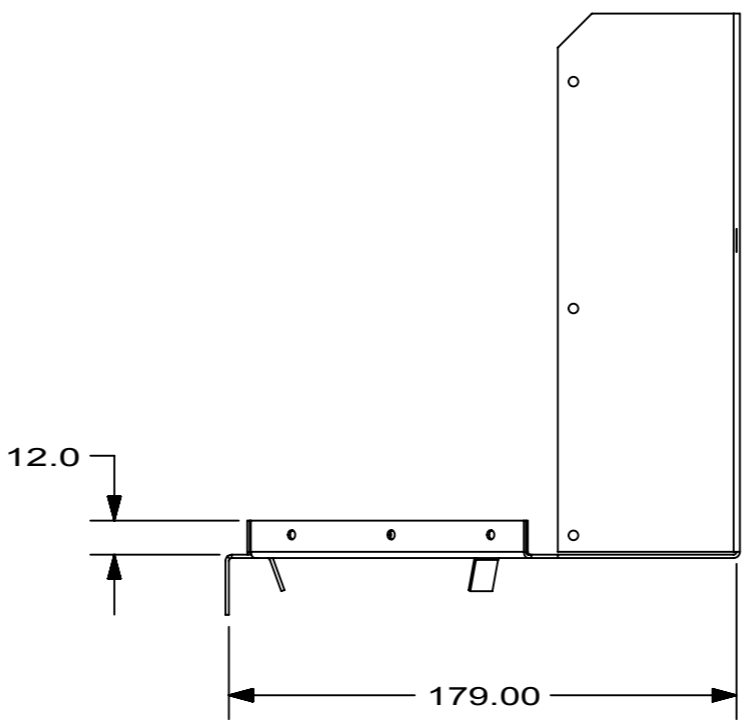
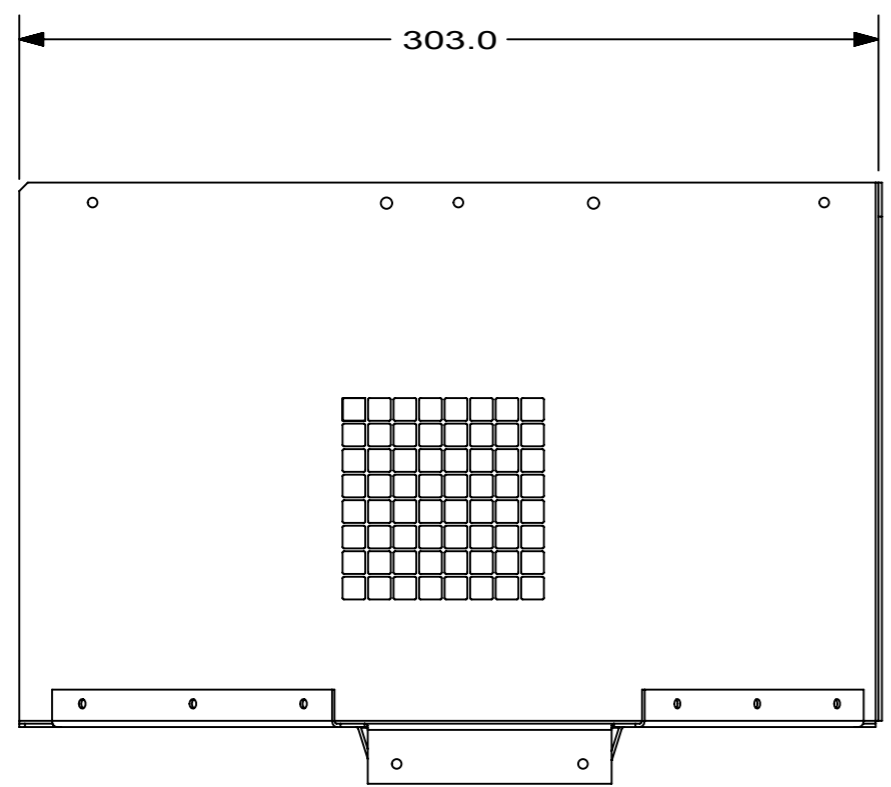


4 3 2 1

REVISIONS						
ZONE	REV	PCO	DESCRIPTION	DRFT	DATE	CHKD
	A	40001067-6	RELEASE	JJB	7-10-08	MM
	B	40001190	REMOVED MOUNTING HOLE	JJB	9-25-08	MM
	C	40001260-1	ADDED SIDE MOUNTING HOLES	JJB	10-28-08	MM
	D	40001383	CHANGED MOUNTING HOLE SIZES	JJB	4-16-09	MM



4 3 2 1

"CONFIDENTIAL"
 PROPRIETARY INFORMATION; DO NOT
 DISCLOSE SPECIFICATIONS CONTAINED ON
 THIS DRAWING, WITHOUT AN AUTHORIZED
 AND SIGNED ARIZANT HEALTHCARE INC.
 CONFIDENTIALITY AGREEMENT

± TOLERANCE UNLESS OTHERWISE SPECIFIED
 .X = ± 1.00 ANGLES
 .XX = ± .50 ± 1°
 .XXX = ± .25 (MM) PARENTHESIS

Arizant Healthcare
 bright ideas that work
 10393 WEST 70TH STREET
 EDEN PRAIRIE, MN 55344
 TEL (952) 947-1200
 FAX (952) 947-1400

MATERIAL:
 1.2mm GALVANIZED STEEL

DO NOT SCALE DRAWING

TITLE
**FILTER BOX BOTTOM,
 POLAR AIR II**

FINISH:	ACTIVITY	SIGNATURE	DATE
	DRAFTING		
	MFG		
	DESIGN		

DWG SIZE	PART NO	REV
B	170064	D
SCALE	SHEET	1 OF 2
		NX

DWG SIZE	PART NO	REV
B	170064	D
SCALE	SHEET	1 OF 2
		NX

4 3 2 1

4

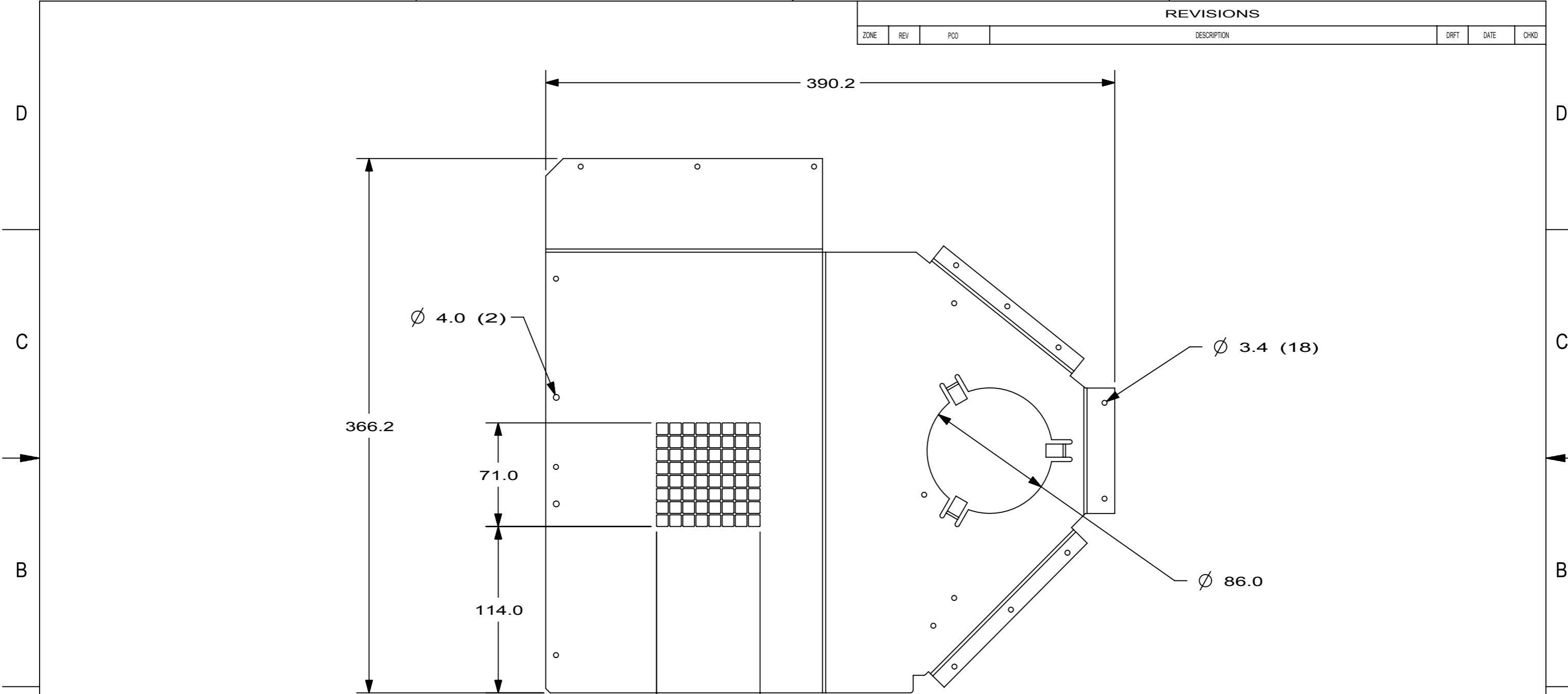
3

2

1

REVISIONS

ZONE	REV	PCD	DESCRIPTION	DRFT	DATE	CHKD



NOTES:

1. BASED ON 1mm INTERNAL BEND RADIUS.

"CONFIDENTIAL"
 PROPRIETARY INFORMATION; DO NOT
 DISCLOSE SPECIFICATIONS CONTAINED ON
 THIS DRAWING, WITHOUT AN AUTHORIZED
 AND SIGNED ARIZANT HEALTHCARE INC.
 CONFIDENTIALITY AGREEMENT

! TOLERANCE UNLESS OTHERWISE SPECIFIED
 .X = ± 1.00 ANGLES
 .XX = ± .50 ! 1°
 .XXX = ± .25
 (MM) PARENTHESIS

Arizant Healthcare
 bright ideas that work
 10393 WEST 70TH STREET
 EDEN PRAIRIE, MN 55344
 TEL (952) 947-1200
 FAX (952) 947-1400

MATERIAL: 1.2mm GALVANIZED STEEL

DO NOT SCALE DRAWING

TITLE **FILTER BOX BOTTOM,
 POLAR AIR II**

FINISH:

ACTIVITY	SIGNATURE	DATE
DRAFTING		
MFG		
DESIGN		

DWG SIZE	PART NO	REV
B	170064	D

SCALE	SHEET	2 OF 2	NX
-------	-------	--------	----

4

3

2

1