

4

3

2

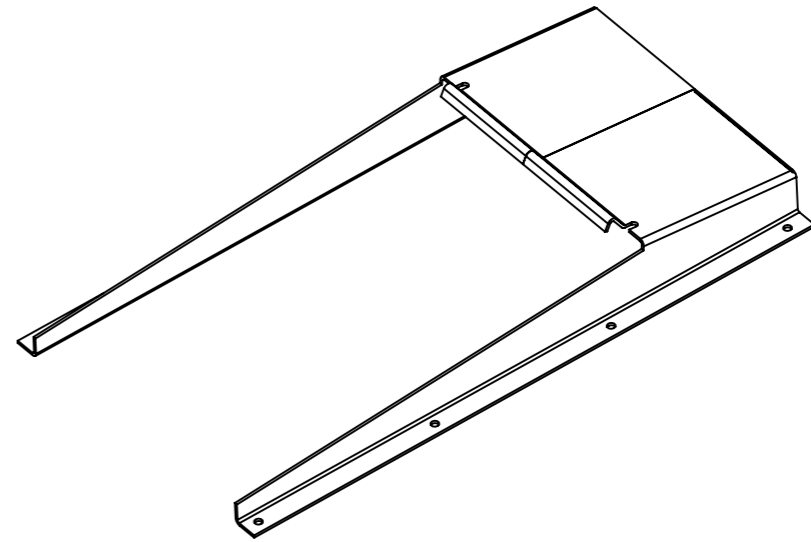
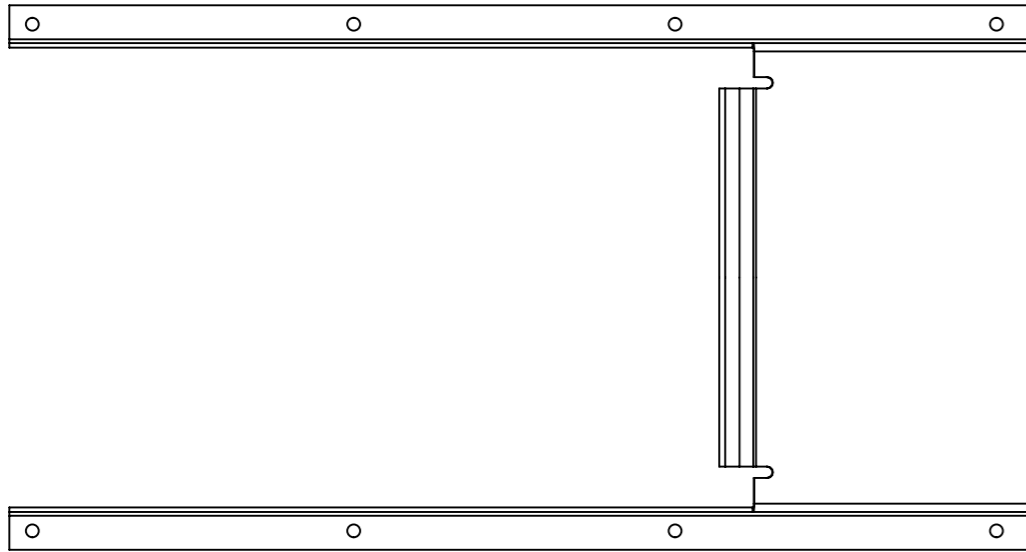
1

REVISIONS

ZONE	REV	PCD	DESCRIPTION	DRFT	DATE	CHKD
	A	40001067-10	RELEASE	JJB	7-10-08	MM
	B	40001383	CHANGED MOUNTING HOLE SIZES	JJB	4-16-09	MM

D

D

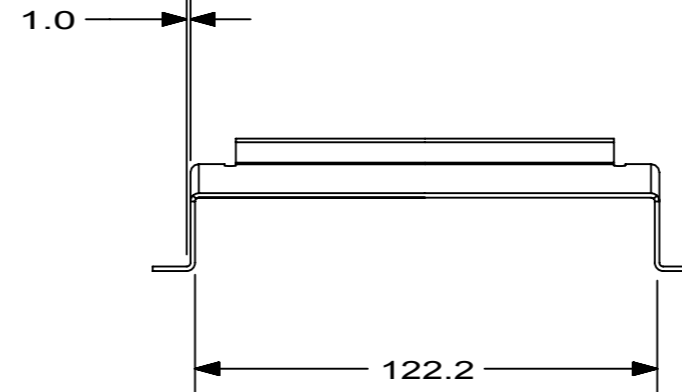
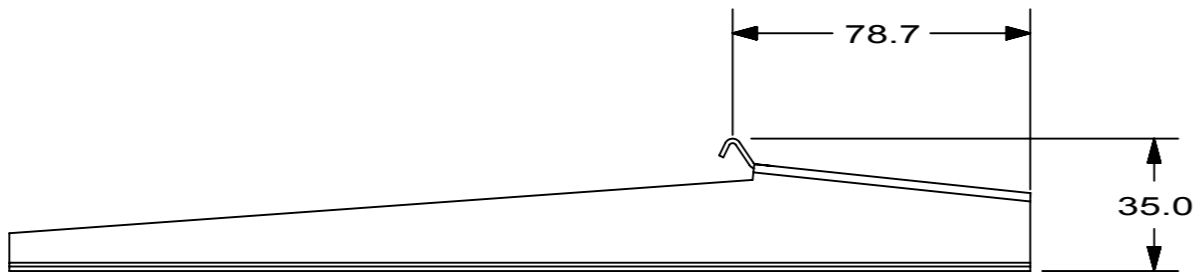


C

C

B

B



A

A

<p>"CONFIDENTIAL" PROPRIETARY INFORMATION; DO NOT DISCLOSE SPECIFICATIONS CONTAINED ON THIS DRAWING, WITHOUT AN AUTHORIZED AND SIGNED ARIZANT HEALTHCARE INC. CONFIDENTIALITY AGREEMENT</p>	<p>! TOLERANCE UNLESS OTHERWISE SPECIFIED</p> <p>.X = ± 1.00 ANGLES</p> <p>.XX = ± .50 ! 1°</p> <p>.XXX = ± .25</p> <p>(MM) PARENTHESIS</p>		<p>Arizant Healthcare <i>bright ideas that work</i></p> <p>10393 WEST 70TH STREET EDEN PRAIRIE, MN 55344 TEL (952) 947-1200 FAX (952) 947-1400</p>			
	<p>MATERIAL: 1.2mm GALVANIZED STEEL</p>		<p>TITLE CONDENSATION PIVOT PLATE, POLAR AIR II</p>			
<p>FINISH:</p>	<p>DO NOT SCALE DRAWING</p>		DWG SIZE	PART NO	REV	
	DRAFTING	SIGNATURE	DATE	B	170071	B
	MFG			SCALE	SHEET 1 OF 2	NX

4

3

2

1

4

3

2

1

REVISIONS

ZONE	REV	PCD	DESCRIPTION	DRFT	DATE	CHKD
------	-----	-----	-------------	------	------	------

D

D

C

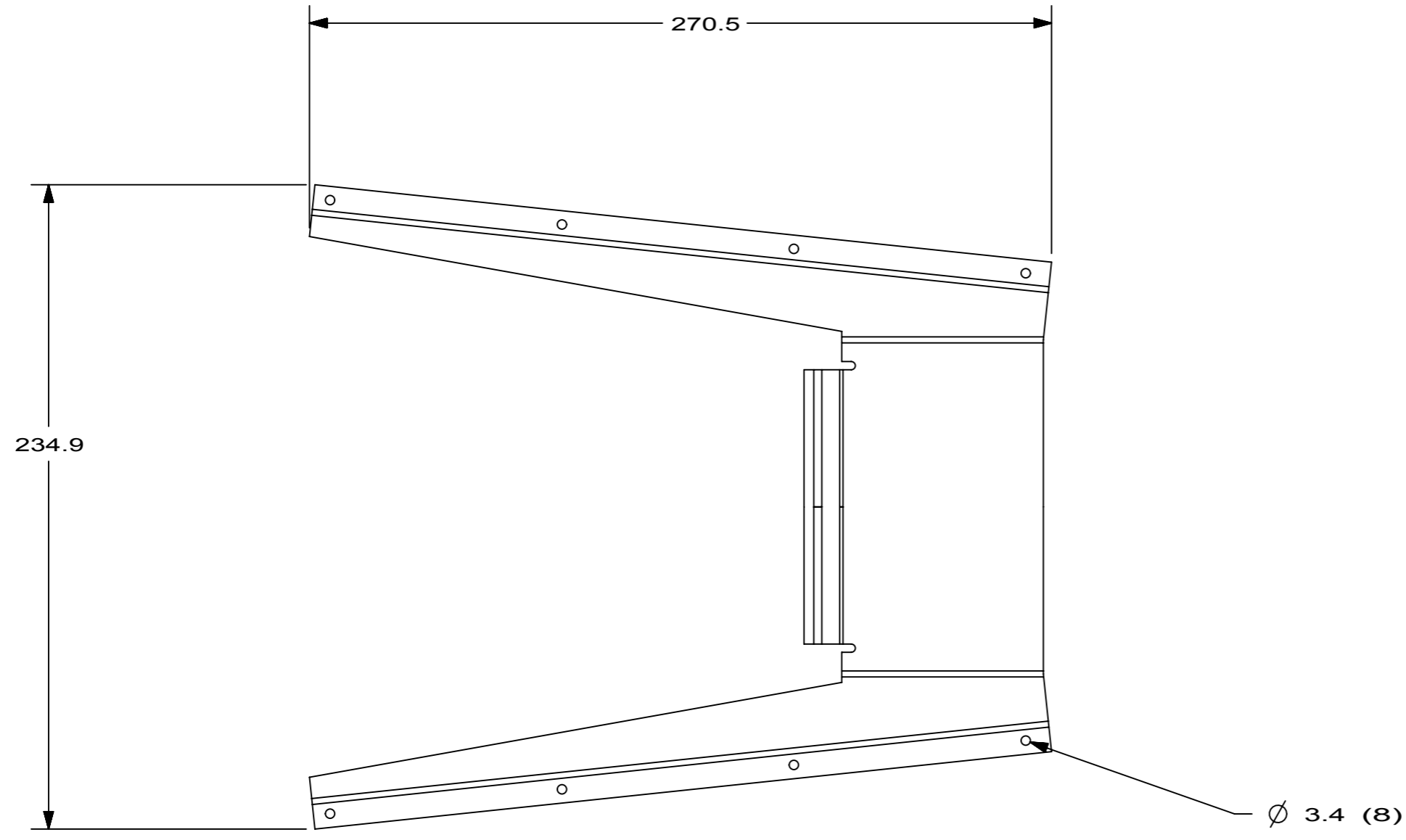
C

B

B

A

A



"CONFIDENTIAL"
 PROPRIETARY INFORMATION; DO NOT
 DISCLOSE SPECIFICATIONS CONTAINED ON
 THIS DRAWING, WITHOUT AN AUTHORIZED
 AND SIGNED ARIZANT HEALTHCARE INC.
 CONFIDENTIALITY AGREEMENT

! TOLERANCE UNLESS OTHERWISE SPECIFIED
 .X = ! 1.00 ANGLES
 .XX = ! .50 ! 1°
 .XXX = ! .25 (MM) PARENTHESIS

Arizant Healthcare
 bright ideas that work
 10393 WEST 70TH STREET
 EDEN PRAIRIE, MN 55344
 TEL (952) 947-1200
 FAX (952) 947-1400

MATERIAL:
 1.2mm GALVANIZED STEEL

DO NOT SCALE DRAWING

TITLE
 CONDENSATION
 PIVOT PLATE, POLAR AIR II

FINISH:

ACTIVITY	SIGNATURE	DATE
DRAFTING		
MFG		
DESIGN		

DWG SIZE	PART NO	REV
B	170071	B
SCALE	SHEET 2 OF 2	NX

4

3

2

1