

4

3

2

1

REVISIONS						
ZONE	REV	PCO	DESCRIPTION	DRFT	DATE	CHKD
	A	40001067-10	RELEASE	JJB	7-10-08	MM
	B	40001383	CHANGED MOUNTING HOLE SIZES	JJB	4-16-09	MM

D

D

C

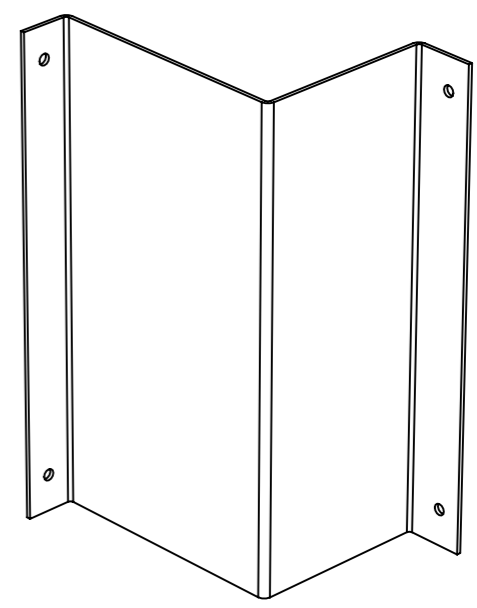
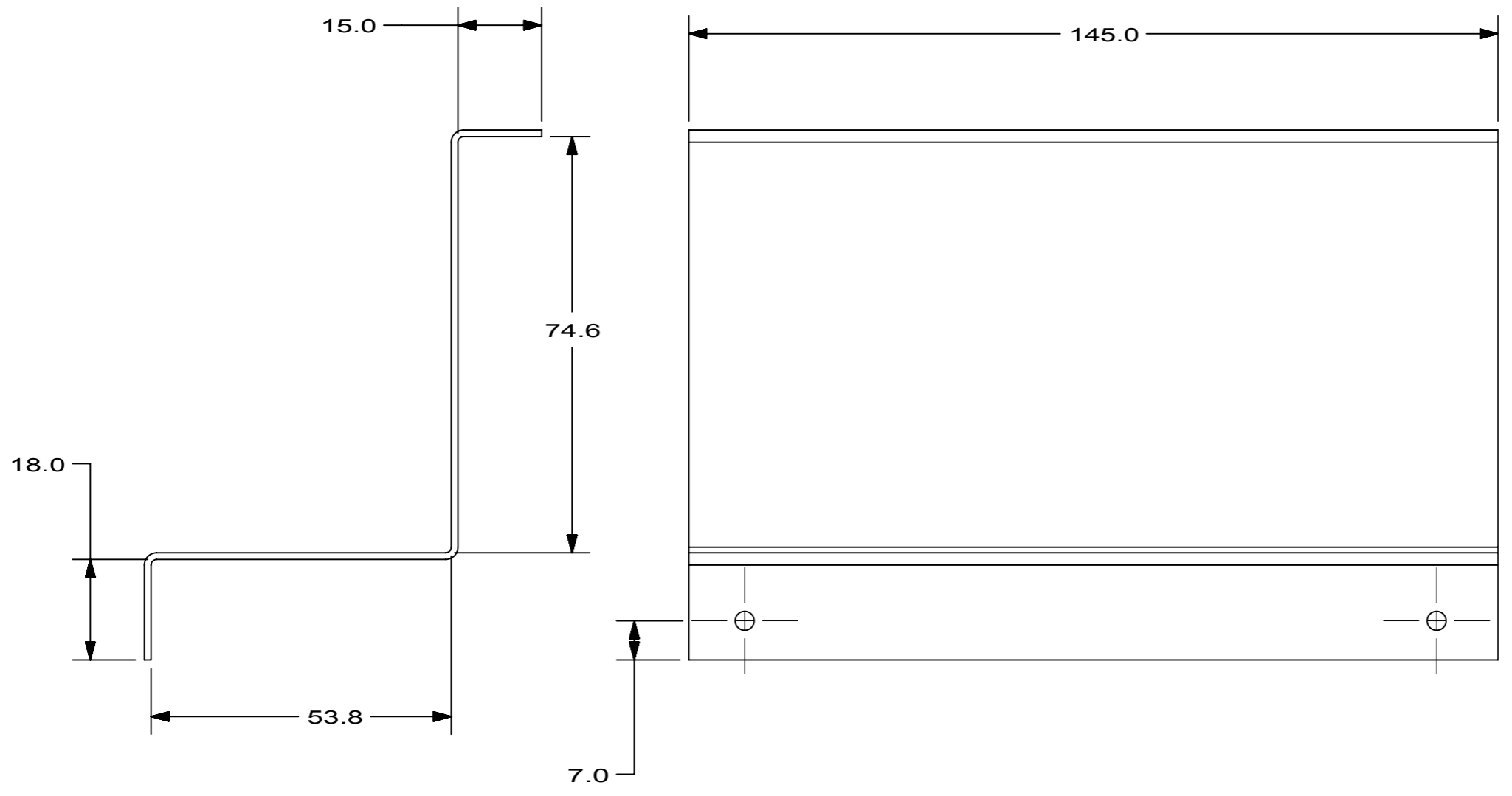
C

B

B

A

A



"CONFIDENTIAL"
 PROPRIETARY INFORMATION; DO NOT
 DISCLOSE SPECIFICATIONS CONTAINED ON
 THIS DRAWING, WITHOUT AN AUTHORIZED
 AND SIGNED ARIZANT HEALTHCARE INC.
 CONFIDENTIALITY AGREEMENT

! TOLERANCE UNLESS OTHERWISE SPECIFIED
 .X = ± 1.00 ANGLES
 .XX = ± .50 ! 1°
 .XXX = ± .25 (MM) PARENTHESIS

Arizant Healthcare
bright ideas that work
 10393 WEST 70TH STREET
 EDEN PRAIRIE, MN 55344
 TEL (952) 947-1200
 FAX (952) 947-1400

MATERIAL:
1.2mm 304 STAINLESS STEEL

DO NOT SCALE DRAWING

TITLE
**POWER-IN BRACKET,
 POLAR AIR II**

FINISH:

ACTIVITY	SIGNATURE	DATE
DRAFTING		
MFG		
DESIGN		

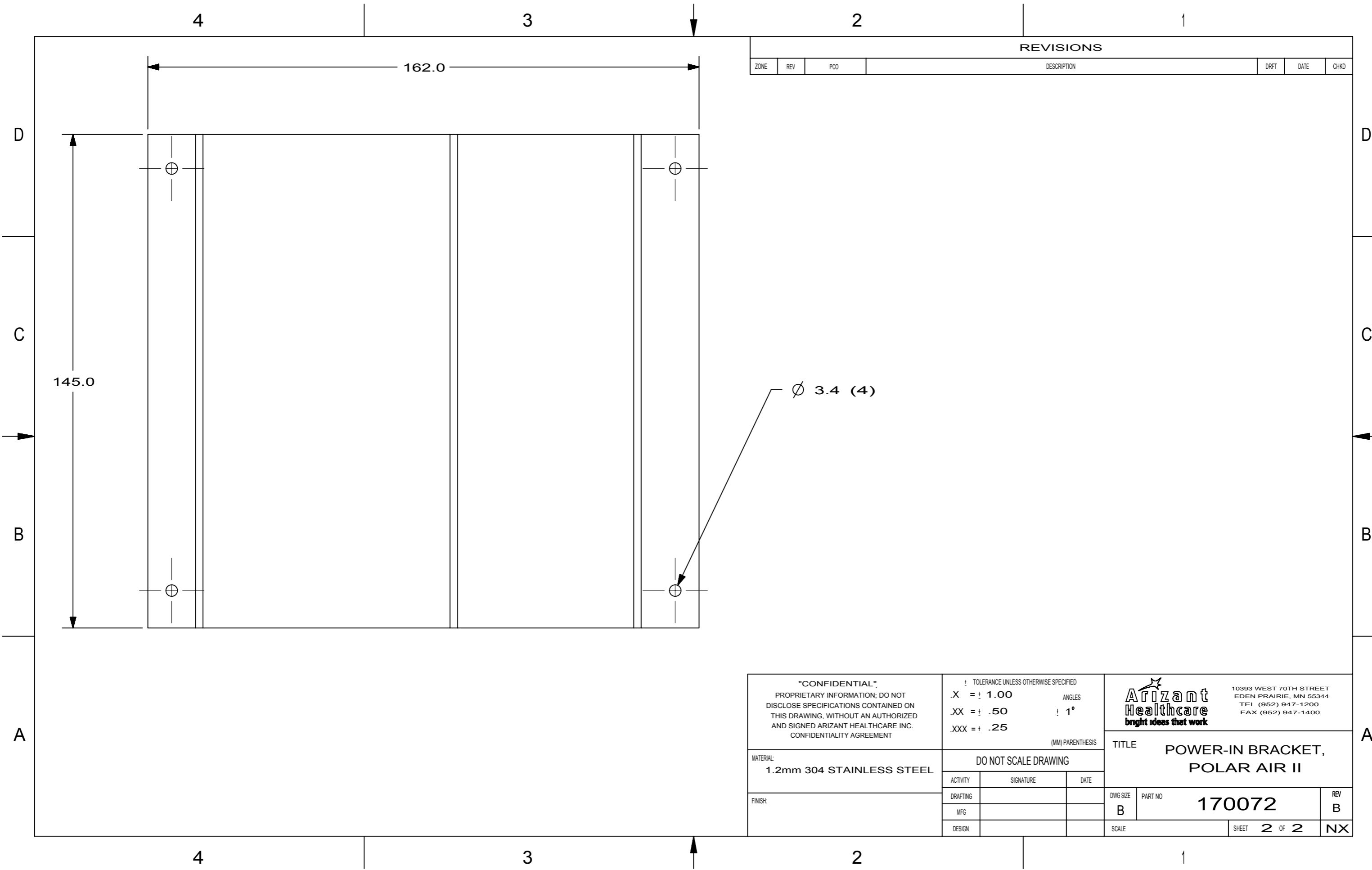
DWG SIZE	PART NO	REV
B	170072	B
SCALE	SHEET 1 OF 2	NX

4

3

2

1



REVISIONS						
ZONE	REV	PCO	DESCRIPTION	DRFT	DATE	CHKD

"CONFIDENTIAL"
 PROPRIETARY INFORMATION; DO NOT
 DISCLOSE SPECIFICATIONS CONTAINED ON
 THIS DRAWING, WITHOUT AN AUTHORIZED
 AND SIGNED ARIZANT HEALTHCARE INC.
 CONFIDENTIALITY AGREEMENT

! TOLERANCE UNLESS OTHERWISE SPECIFIED
 .X = ± 1.00 ANGLES
 .XX = ± .50 ! 1°
 .XXX = ± .25 (MM) PARENTHESIS

Arizant Healthcare
bright ideas that work
 10393 WEST 70TH STREET
 EDEN PRAIRIE, MN 55344
 TEL (952) 947-1200
 FAX (952) 947-1400

MATERIAL:
1.2mm 304 STAINLESS STEEL

DO NOT SCALE DRAWING

TITLE
**POWER-IN BRACKET,
 POLAR AIR II**

FINISH:

ACTIVITY	SIGNATURE	DATE
DRAFTING		
MFG		
DESIGN		

DWG SIZE	PART NO	REV
B	170072	B
SCALE	SHEET 2 OF 2	NX