

4

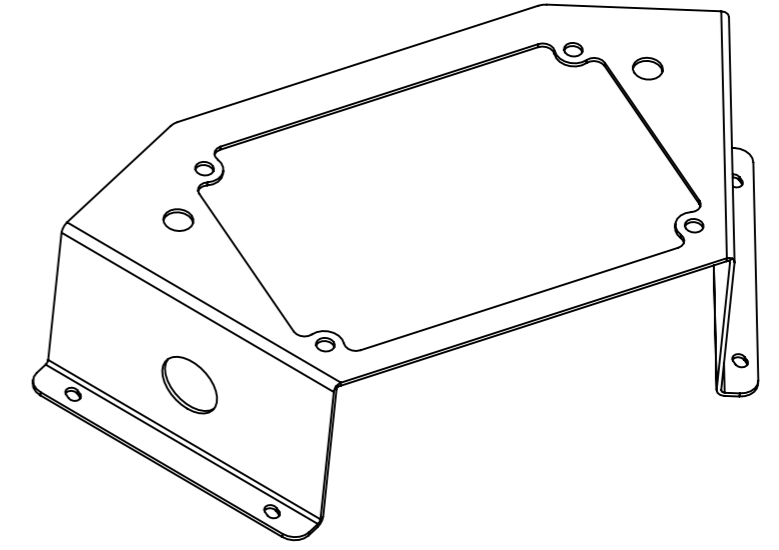
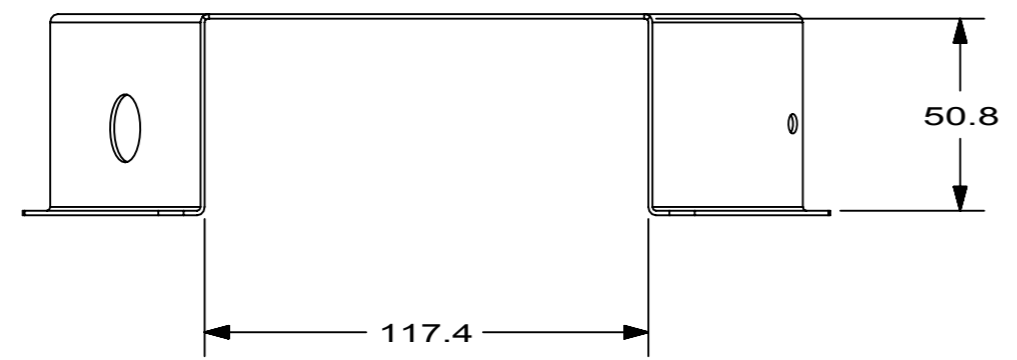
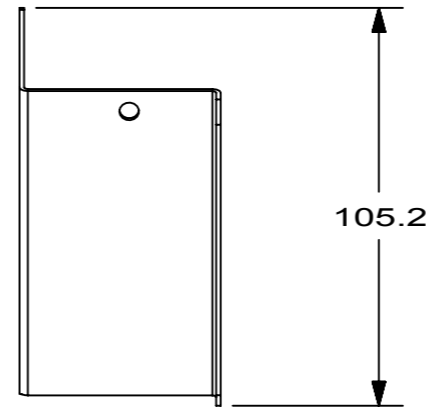
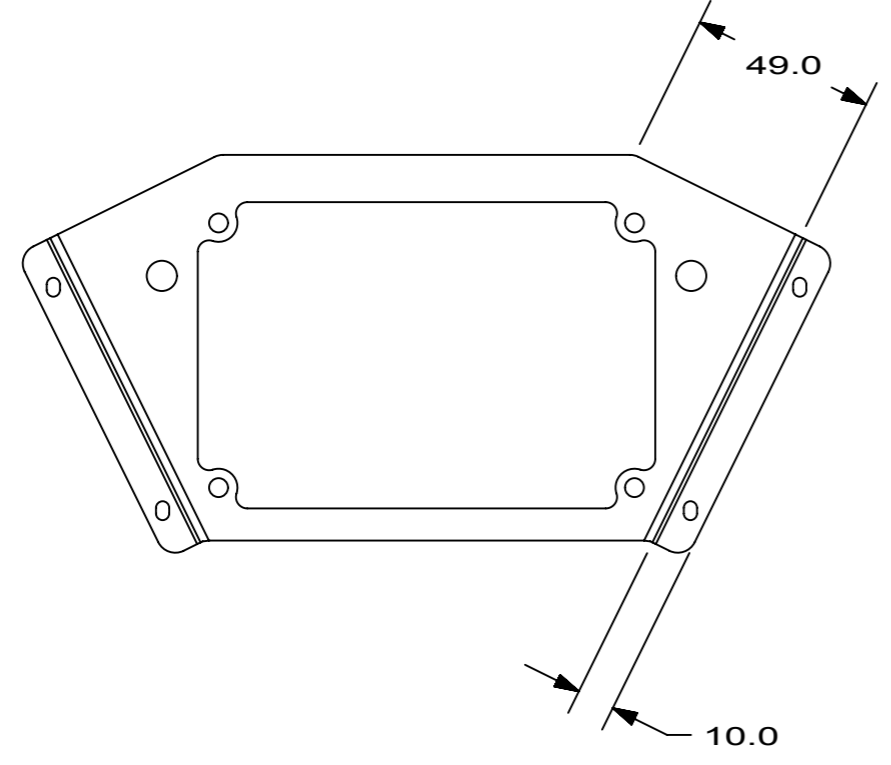
3

2

1

REVISIONS

ZONE	REV	POD	DESCRIPTION	DRFT	DATE	CHKD
	A	40001067-2	RELEASE	JJB	7-10-08	MM
	B	40001223	INCREASED BUZZER HOLE DIAMETER	JJB	10-2-08	MM
	C	40001383	DECREASED BUZZER HOLE DIAMETER	JJB	4-16-09	MM



<p>"CONFIDENTIAL"          PROPRIETARY INFORMATION; DO NOT DISCLOSE SPECIFICATIONS CONTAINED ON THIS DRAWING, WITHOUT AN AUTHORIZED AND SIGNED ARIZANT HEALTHCARE INC. CONFIDENTIALITY AGREEMENT</p>	<p>! TOLERANCE UNLESS OTHERWISE SPECIFIED</p> <p>.X = ± 1.00      ANGLES</p> <p>.XX = ± .50      ! 1°</p> <p>.XXX = ± .25      (MM) PARENTHESIS</p>		<p><b>Arizant Healthcare</b>  <i>bright ideas that work</i></p> <p>10393 WEST 70TH STREET          EDEN PRAIRIE, MN 55344          TEL (952) 947-1200          FAX (952) 947-1400</p>			
	<p>MATERIAL:          1.2mm GALVANIZED STEEL</p>		<p>TITLE <b>CONTROLLER BRACKET, POLAR AIR II</b></p>			
<p>FINISH:</p>	<p>DO NOT SCALE DRAWING</p>		DWG SIZE	PART NO	REV	
	ACTIVITY	SIGNATURE	DATE	B	170086	C
	DRAFTING					
	MFG					
	DESIGN			SCALE	SHEET 1 OF 2	NX

4

3

2

1

4

3

2

1

REVISIONS

ZONE	REV	PCD	DESCRIPTION	DRFT	DATE	CHKD

303.2

Ø 8.0  
TYP 2 PLACES

Ø 5.2

127.1

Ø 18.0

Ø 5.0  
TYP 4 PLACES

Ø 3.5 x 5  
TYP 4 PLACES

D

D

C

C

B

B

A

A

"CONFIDENTIAL"  
 PROPRIETARY INFORMATION; DO NOT  
 DISCLOSE SPECIFICATIONS CONTAINED ON  
 THIS DRAWING, WITHOUT AN AUTHORIZED  
 AND SIGNED ARIZANT HEALTHCARE INC.  
 CONFIDENTIALITY AGREEMENT

± TOLERANCE UNLESS OTHERWISE SPECIFIED  
 .X = ± 1.00 ANGLES  
 .XX = ± .50 ± 1°  
 .XXX = ± .25 (MM) PARENTHESIS

**Arizant Healthcare**  
 bright ideas that work  
 10393 WEST 70TH STREET  
 EDEN PRAIRIE, MN 55344  
 TEL (952) 947-1200  
 FAX (952) 947-1400

MATERIAL:  
1.2mm GALVANIZED STEEL

DO NOT SCALE DRAWING

TITLE **CONTROLLER BRACKET,  
POLAR AIR II**

FINISH:

ACTIVITY	SIGNATURE	DATE
DRAFTING		
MFG		
DESIGN		

DWG SIZE	PART NO	REV
B	<b>170086</b>	C

--	--	--

--	--	--

SCALE	SHEET	2 OF 2	NX
-------	-------	--------	----

4

3

2

1