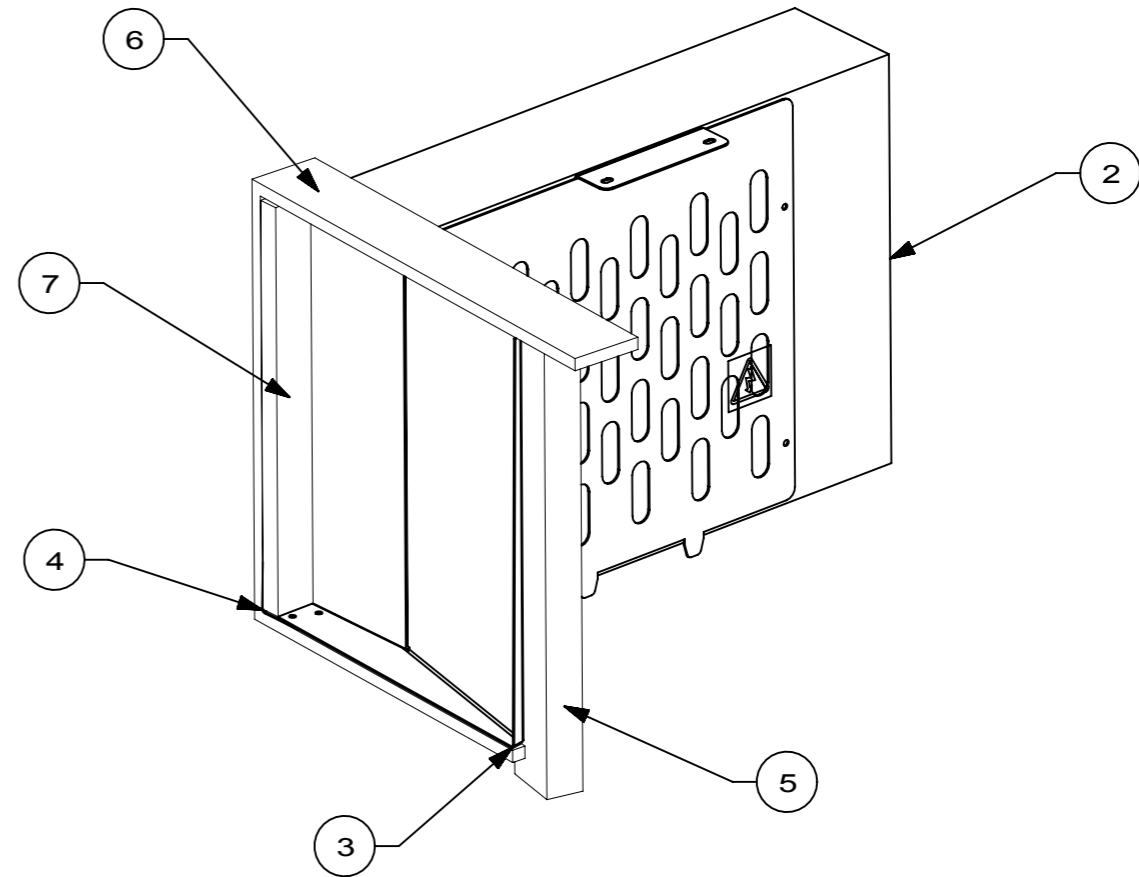
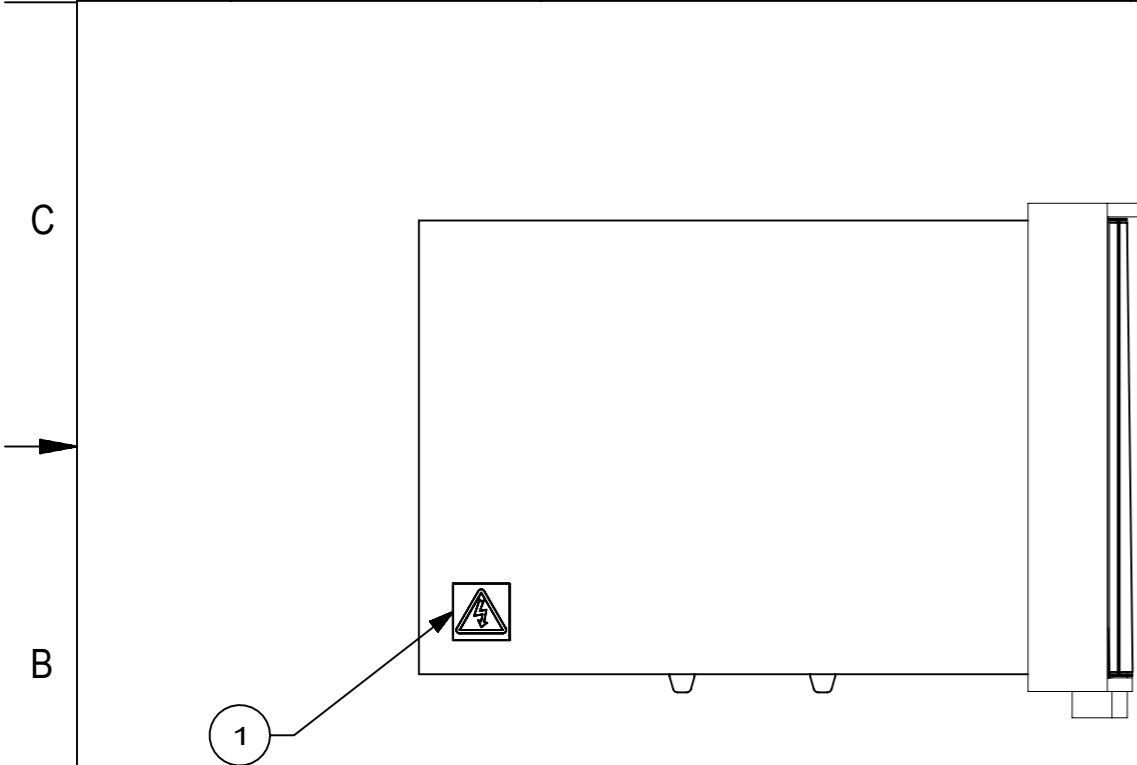


Item Number	Drawing Number	Description	Qty.
1	100341	LABEL, SHOCK	1
2	170013	POWER SUPPLY	1
3	170138	MOUNTING PLATE, POWER SUPPLY	1
4	170139	DEFLECTOR PLATE, POWER SUPPLY	1
5	170252	FOAM 1, POWER SUPPLY	1
6	170253	FOAM 2, POWER SUPPLY	1
7	170254	FOAM 3, POWER SUPPLY	1

REVISIONS						
ZONE	REV	PCO	DESCRIPTION	DRFT	DATE	CHKD
	A	40001067-17	RELEASE	JJB	7-28-08	MM
	B	40001383	ADDED FOAM	JJB	4-16-09	MM



<p>"CONFIDENTIAL" PROPRIETARY INFORMATION; DO NOT DISCLOSE SPECIFICATIONS CONTAINED ON THIS DRAWING, WITHOUT AN AUTHORIZED AND SIGNED ARIZANT HEALTHCARE INC. CONFIDENTIALITY AGREEMENT</p>	<p>± TOLERANCE UNLESS OTHERWISE SPECIFIED</p> <p>.X = ± 1.00 ANGLES</p> <p>.XX = ± .50 ± 1°</p> <p>.XXX = ± .25 (MM) PARENTHESIS</p>		<p>Arizant Healthcare <i>bright ideas that work</i></p> <p>10393 WEST 70TH STREET EDEN PRAIRIE, MN 55344 TEL (952) 947-1200 FAX (952) 947-1400</p>			
	<p>MATERIAL: SEE COMPONENTS</p>		<p>DO NOT SCALE DRAWING</p>		<p>TITLE: POWER SUPPLY ASSEMBLY, POLAR AIR II</p>	
<p>FINISH:</p>	ACTIVITY	SIGNATURE	DATE	DWG SIZE	PART NO	REV
	DRAFTING			B	170087	B
	MFG					
	DESIGN			SCALE	SHEET 1 OF 1	NX