

4

3

2

1

REVISIONS						
ZONE	REV	PCO	DESCRIPTION	DRFT	DATE	CHKD
	A	40001067-10	RELEASE	JJB	7-10-08	MM
	B	40001383	CHANGED RIVET HOLE SIZE	JJB	4-16-09	MM

D

D

C

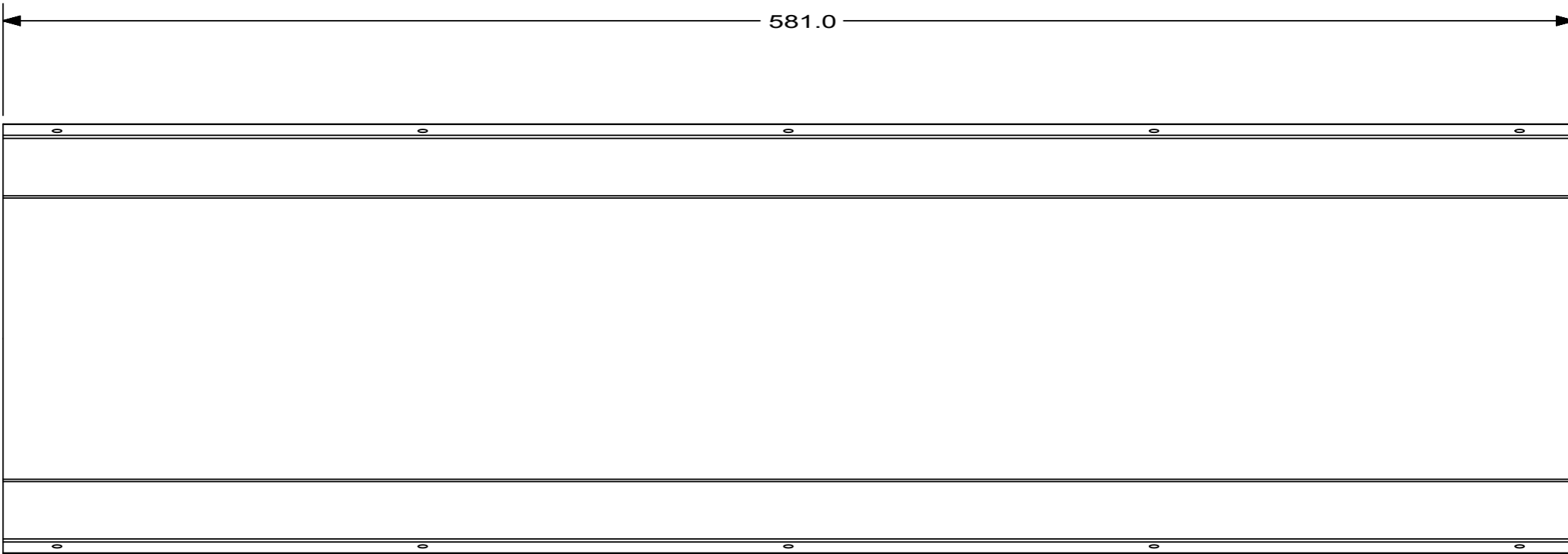
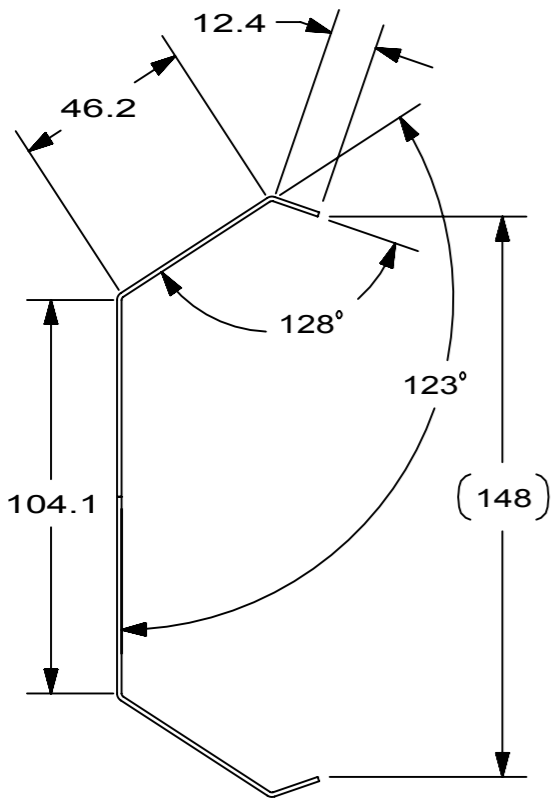
C

B

B

A

A



<p>"CONFIDENTIAL" PROPRIETARY INFORMATION; DO NOT DISCLOSE SPECIFICATIONS CONTAINED ON THIS DRAWING, WITHOUT AN AUTHORIZED AND SIGNED ARIZANT HEALTHCARE INC. CONFIDENTIALITY AGREEMENT</p>	<p>! TOLERANCE UNLESS OTHERWISE SPECIFIED</p> <p>.X = ± 1.00      ANGLES</p> <p>.XX = ± .50      ! 1°</p> <p>.XXX = ± .25      (MM) PARENTHESIS</p>		<p>10393 WEST 70TH STREET EDEN PRAIRIE, MN 55344 TEL (952) 947-1200 FAX (952) 947-1400</p>	
	<p>MATERIAL: 1.2mm GALVANIZED STEEL</p>		<p>TITLE HEAT EXCHANGER BRACKET, POLAR AIR II</p>	
<p>FINISH:</p>	<p>DO NOT SCALE DRAWING</p>		DWG SIZE	REV
	ACTIVITY	SIGNATURE	DATE	B
	DRAFTING			170099
	MFG			B
	DESIGN			NX
<p>SCALE</p>			PART NO	SHEET
			170099	1 OF 2

4

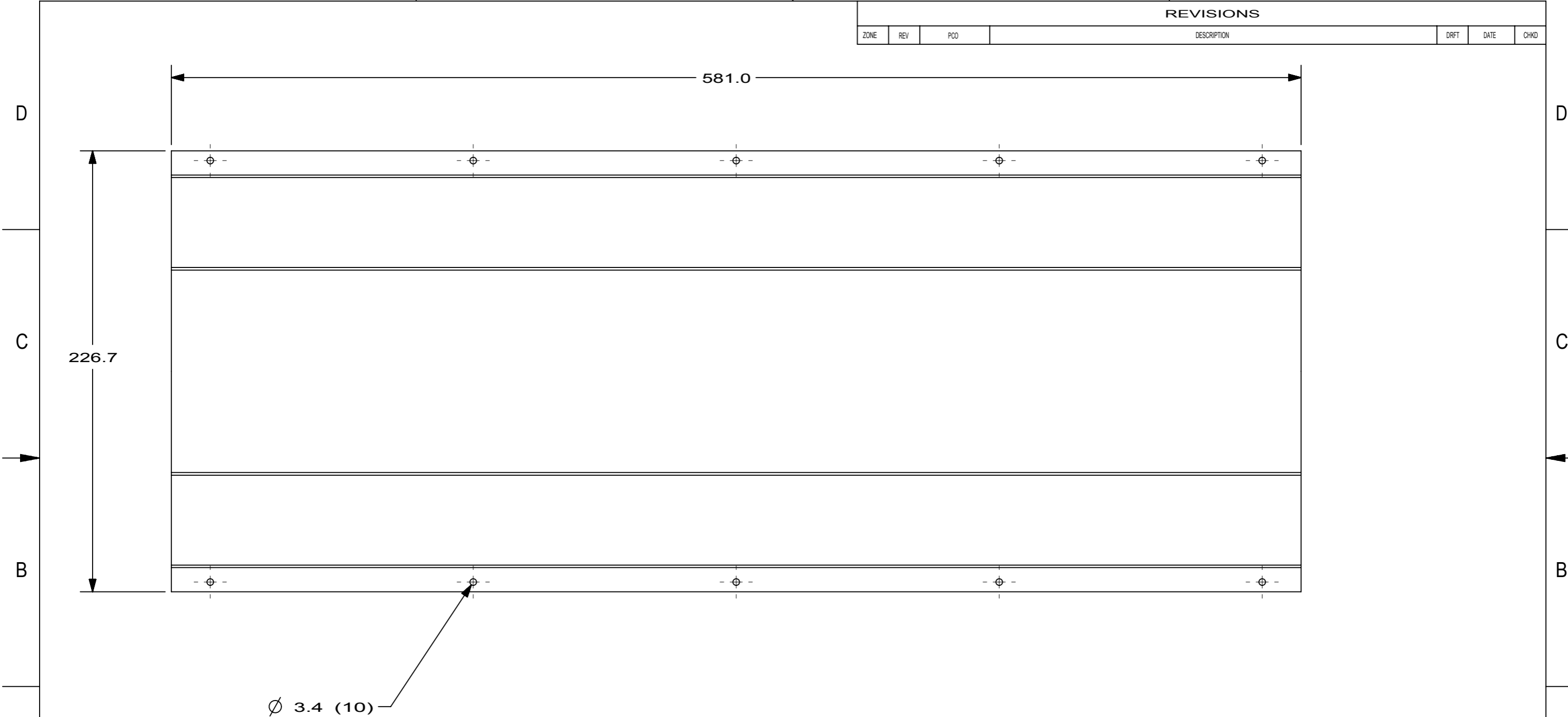
3

2

1

4 3 2 1

REVISIONS						
ZONE	REV	PCO	DESCRIPTION	DRFT	DATE	CHKD



<p>"CONFIDENTIAL"          PROPRIETARY INFORMATION; DO NOT DISCLOSE SPECIFICATIONS CONTAINED ON THIS DRAWING, WITHOUT AN AUTHORIZED AND SIGNED ARIZANT HEALTHCARE INC. CONFIDENTIALITY AGREEMENT</p>	<p>! TOLERANCE UNLESS OTHERWISE SPECIFIED</p> <p>.X = ± 1.00      ANGLES</p> <p>.XX = ± .50      ! 1°</p> <p>.XXX = ± .25      (MM) PARENTHESIS</p>		<p><b>Arizant Healthcare</b>  <i>bright ideas that work</i></p> <p>10393 WEST 70TH STREET          EDEN PRAIRIE, MN 55344          TEL (952) 947-1200          FAX (952) 947-1400</p>		
	<p>MATERIAL:          1.2mm GALVANIZED STEEL</p>		<p>TITLE HEAT EXCHANGER BRACKET, POLAR AIR II</p>		
<p>FINISH:</p>	<p>DO NOT SCALE DRAWING</p>	ACTIVITY	SIGNATURE	DATE	<p>DWG SIZE    PART NO    REV</p> <p>B            170099    B</p>
	DRAFTING				
	MFG				
	DESIGN				<p>SCALE                      SHEET 2 OF 2    NX</p>

4 3 2 1