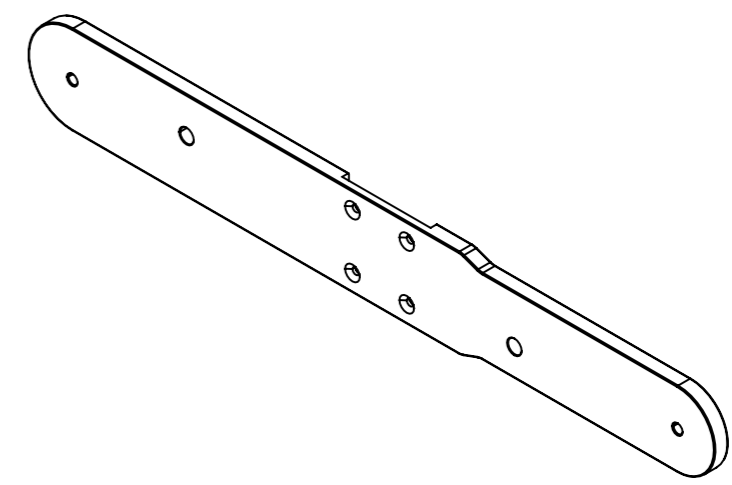
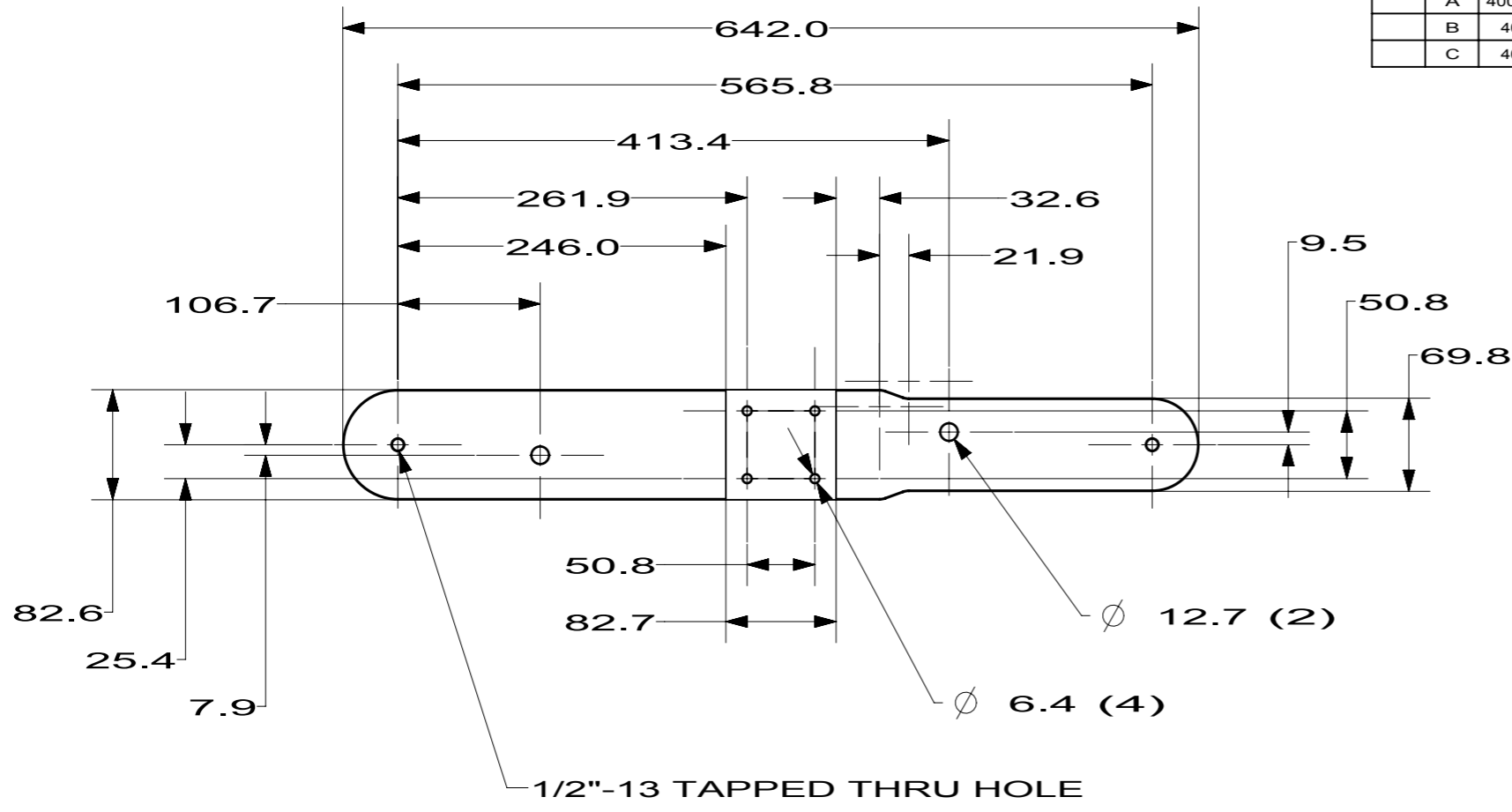


REVISIONS						
ZONE	REV	PCD	DESCRIPTION	DRFT	DATE	CHKD
	A	40001067-14	RELEASE	JJB	5-13-08	MM
	B	40001195	CHANGED MOUNTING LOCATION	JJB	9-10-08	MM
	C	40001383	ADDED DIMENSIONS PER SUPPLIER	JJB	10-29-08	MM



"CONFIDENTIAL"
 PROPRIETARY INFORMATION; DO NOT
 DISCLOSE SPECIFICATIONS CONTAINED ON
 THIS DRAWING, WITHOUT AN AUTHORIZED
 AND SIGNED ARIZANT HEALTHCARE INC.
 CONFIDENTIALITY AGREEMENT

! TOLERANCE UNLESS OTHERWISE SPECIFIED
 .X = ± 1.00 ANGLES
 .XX = ± .50 ! 1°
 .XXX = ± .25 (MM) PARENTHESIS

Arizant Healthcare
 bright ideas that work
 10393 WEST 70TH STREET
 EDEN PRAIRIE, MN 55344
 TEL (952) 947-1200
 FAX (952) 947-1400

MATERIAL: 6061 ALUMINUM

DO NOT SCALE DRAWING

TITLE: FOOT 1, BASE, ENCLOSURE, POLAR AIR II

FINISH:

ACTIVITY	SIGNATURE	DATE
DRAFTING		
MFG		
DESIGN		

DWG SIZE	PART NO	REV
B	170136	C
SCALE	SHEET 1 OF 1	NX