

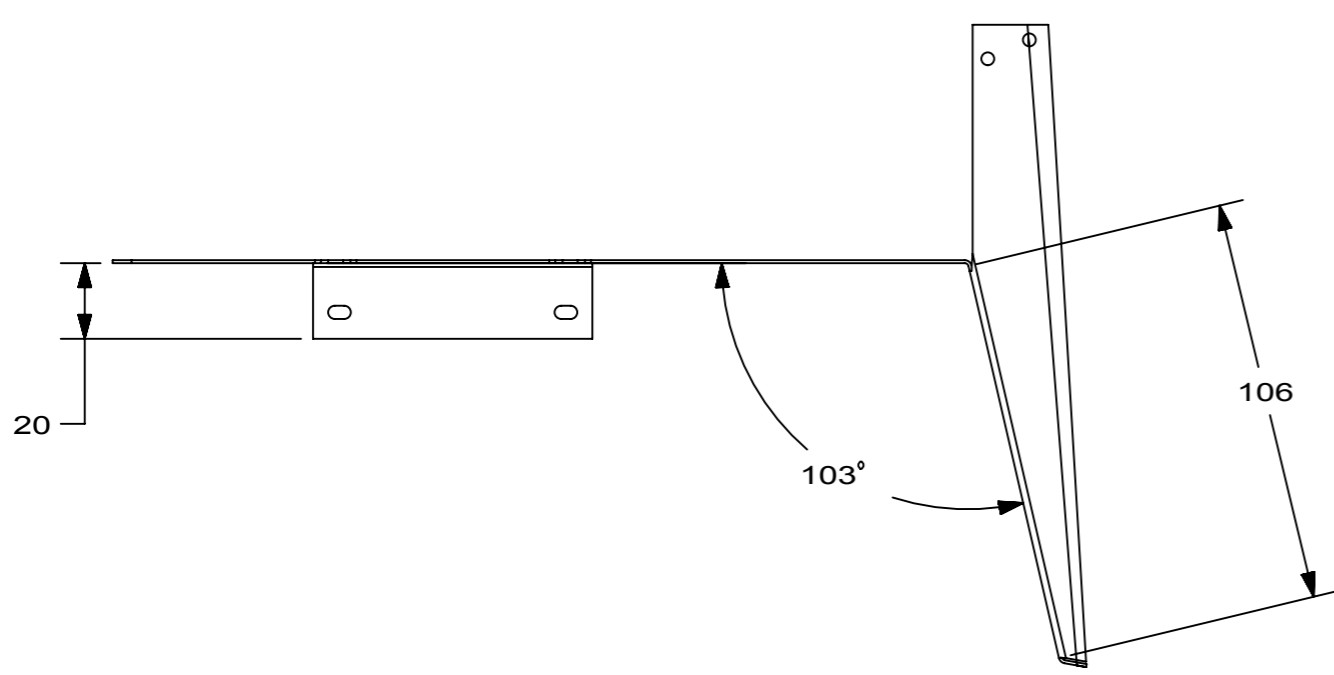
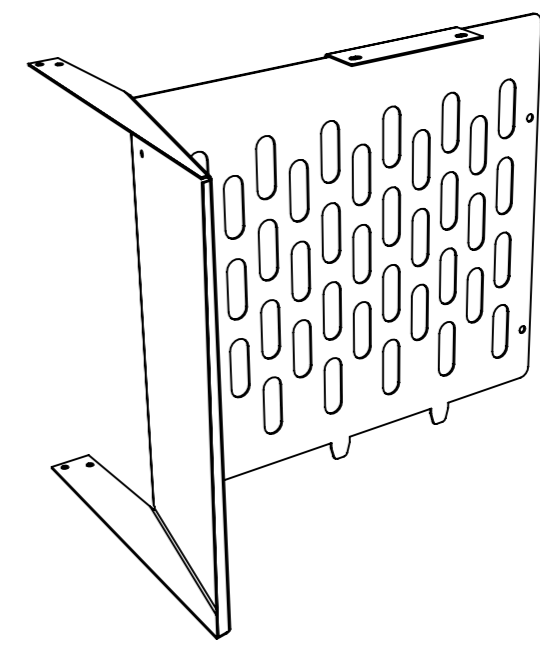
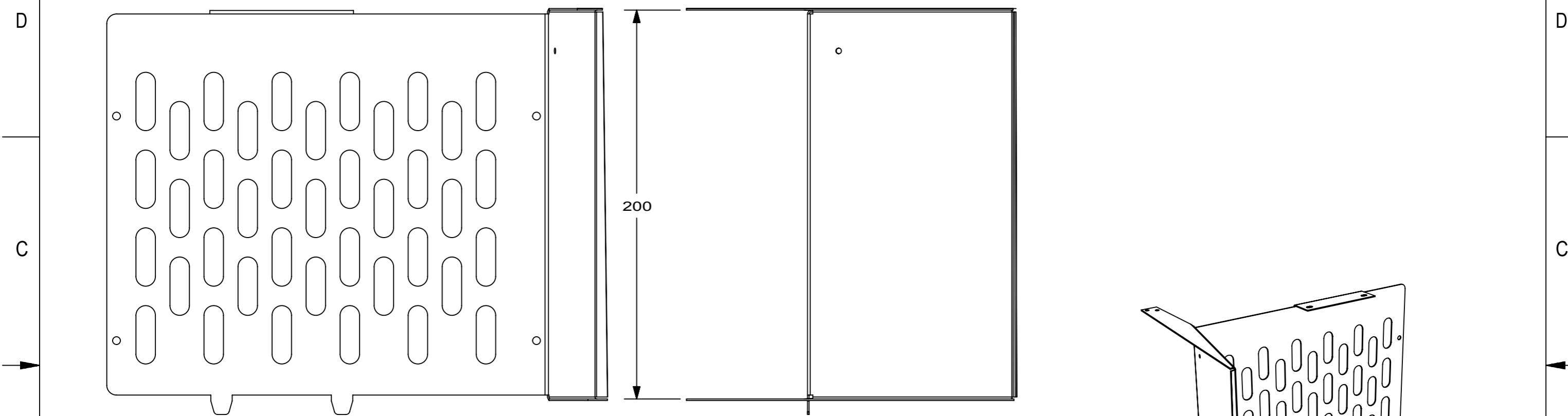
4

3

2

1

REVISIONS						
ZONE	REV	PCO	DESCRIPTION	DRFT	DATE	CHKD
	A	40001067-17	RELEASE	JJB	7-28-08	MM
	B	40001383	CHANGED ALL HOLE DIAMETERS AND ADDED HOLE	JJB	4-16-09	MM



"CONFIDENTIAL"  
 PROPRIETARY INFORMATION; DO NOT  
 DISCLOSE SPECIFICATIONS CONTAINED ON  
 THIS DRAWING, WITHOUT AN AUTHORIZED  
 AND SIGNED ARIZANT HEALTHCARE INC.  
 CONFIDENTIALITY AGREEMENT

! TOLERANCE UNLESS OTHERWISE SPECIFIED  
 .X = ± 1.00 ANGLES  
 .XX = ± .50 ! 1°  
 .XXX = ± .25 (MM) PARENTHESIS

**Arizant Healthcare**  
 bright ideas that work

10393 WEST 70TH STREET  
 EDEN PRAIRIE, MN 55344  
 TEL (952) 947-1200  
 FAX (952) 947-1400

MATERIAL:  
 0.8mm GALVANIZED STEEL

DO NOT SCALE DRAWING

TITLE  
**MOUNTING PLATE,  
 POWER SUPPLY, POLAR AIR II**

ACTIVITY	SIGNATURE	DATE
DRAFTING		
MFG		
DESIGN		

DWG SIZE	PART NO	REV
B	<b>170138</b>	B
SCALE	SHEET	1 OF 2
		NX

4

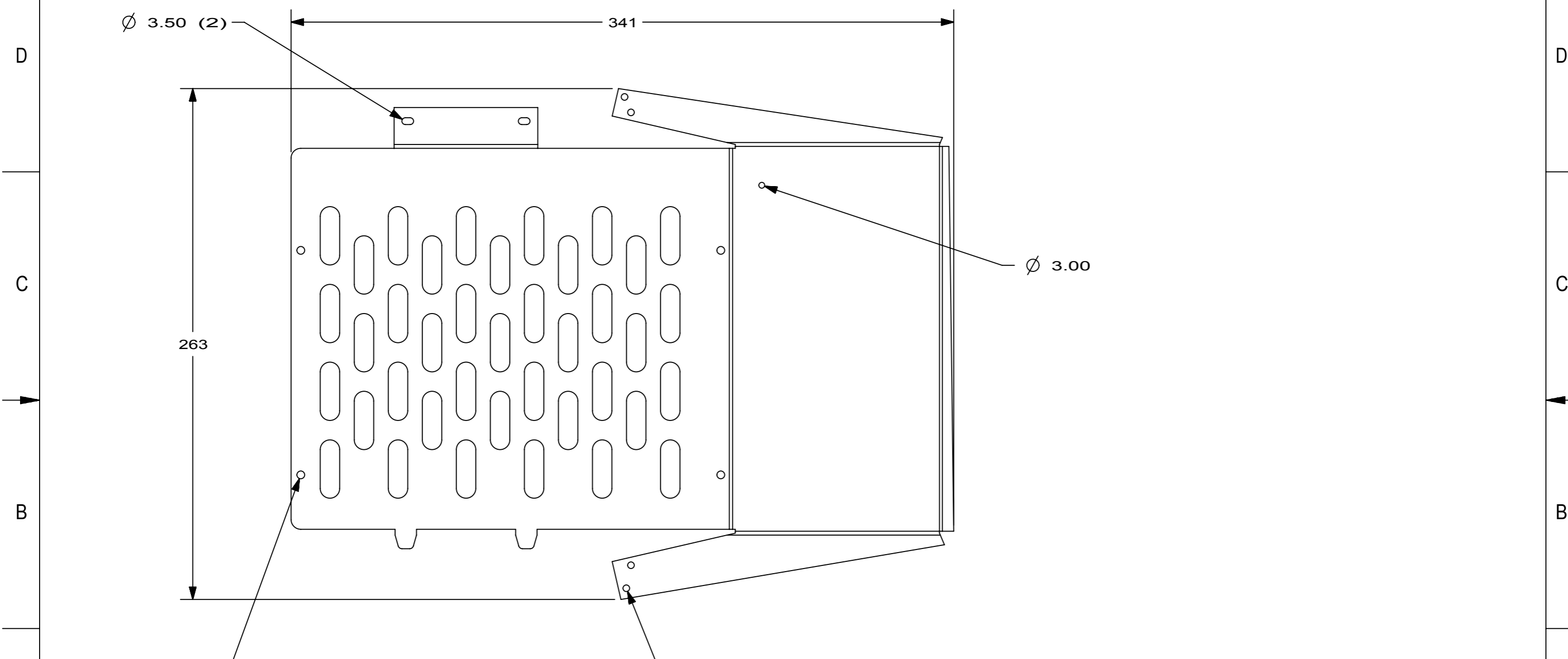
3

2

1

4 3 2 1

REVISIONS						
ZONE	REV	POD	DESCRIPTION	DRFT	DATE	CHKD



**"CONFIDENTIAL"**  
 PROPRIETARY INFORMATION; DO NOT  
 DISCLOSE SPECIFICATIONS CONTAINED ON  
 THIS DRAWING, WITHOUT AN AUTHORIZED  
 AND SIGNED ARIZANT HEALTHCARE INC.  
 CONFIDENTIALITY AGREEMENT

‡ TOLERANCE UNLESS OTHERWISE SPECIFIED  
 .X = ‡ 1.00 ANGLES  
 .XX = ‡ .50 ‡ 1°  
 .XXX = ‡ .25 (MM) PARENTHESIS

**Arizant Healthcare**  
*bright ideas that work*  
 10393 WEST 70TH STREET  
 EDEN PRAIRIE, MN 55344  
 TEL (952) 947-1200  
 FAX (952) 947-1400

MATERIAL:  
**0.8mm GALVANIZED STEEL**

**DO NOT SCALE DRAWING**

TITLE  
**MOUNTING PLATE,  
 POWER SUPPLY, POLAR AIR II**

ACTIVITY	SIGNATURE	DATE
DRAFTING		
MFG		
DESIGN		

DWG SIZE	PART NO	REV
B	<b>170138</b>	B
SCALE	SHEET	2 OF 2
		<b>NX</b>

4 3 2 1