

# The **A B C** of **HEATERS**

**A** C/DC Working (100-240v or 12-48v)

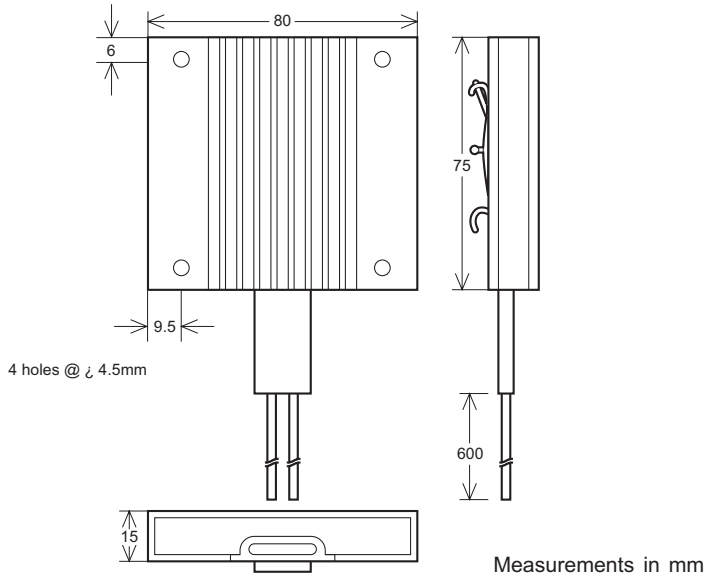
**B** Base or Din Rail Mounting

**C** Choice of Operating Power



[www.ptcheaters.com](http://www.ptcheaters.com)

## DIMENSIONS



## APPLICATIONS

Electrical Switchgear Cabinets  
 CCTV Camera Housing  
 Telecommunication Cabins  
 Laboratory Equipment  
 Street Cabinets  
 Outdoor Cabinets

The DBK ABC range of Positive Temperature Coefficient (PTC) self regulating heaters have been designed to offer a choice of power outputs within the same physical frame size and are offered with DIN clip or base mount for easy fixing. 80W and 100W packages are also available on request (typical profile length 110mm). When ordering, please state the desired range of operating voltage (100-240vac/dc or 12-30vac/dc)

## MODELS

### DIN MOUNT

ABC - 20W/DIN		*1
ABC - 20W/DIN	- 24	*2
ABC - 30W/DIN		*1
ABC - 40W/DIN		*1
ABC - 60W/DIN	- 24	*2

### BASE MOUNT

ABC - 20W (With out DIN)	*1
ABC - 20W - 24 (With out DIN)	*2
ABC - 30W (With out DIN)	*1
ABC - 40W (With out DIN)	*1
ABC - 60W (With out DIN)	*1
ABC - 60W - 24 (With out DIN)	*2
ABC - 80W (With out DIN)	*1

(\*1): 100-240vac/dc operating range. (\*2): 12-30vac/dc operating range

## DESIGN NOTES

$$\text{Power} = K \times A \times T$$

**K:** Heat transmission factor, sheet steel 5.5W/m squared Kelvin.

**A:** Complete surface area of heat losing enclosure (metres squared).

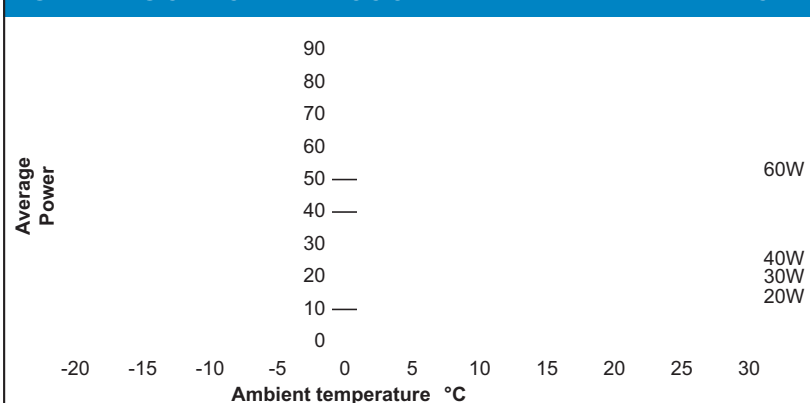
**T:** Temperature difference between the ambient air temperature and the specified internal temperature of the enclosure.

Place the heater within the lowest part of the enclosure to aid natural convection of the thermal energy.

To increase the performance of the 60 and 80W models, affix the assemblies to the base of the cabinet.

Assisted forced air convection enhances the power output, thus decreasing the temperature rise time and surface temperature of the heat-sink.

## POWER OUTPUT VERSUS AMBIENT TEMPERATURE



## SPECIFICATION

UL, CSA, VDE

0.5mm sq black silicon wire

100-240vac/dc or 12-30vac/dc

DIN Clip to comply to EN50022

IP54 (on request)

Protection Class II

Custom models considered



European Thermodynamics Limited

Intelligent Thermal Management

PO Box 6744  
 Leicester LE2 6WS, United Kingdom

Tel: +44 (0)116 292 1501  
 Fax: +44 (0)116 292 1503  
 info@etdyn.com  
 www.etdyn.com

Business registration 4345086 VAT registration 787 3265 86